

no longer available - archive entryreplaced by: E10788  
 In USA, priced and sold in pack of 1 piece

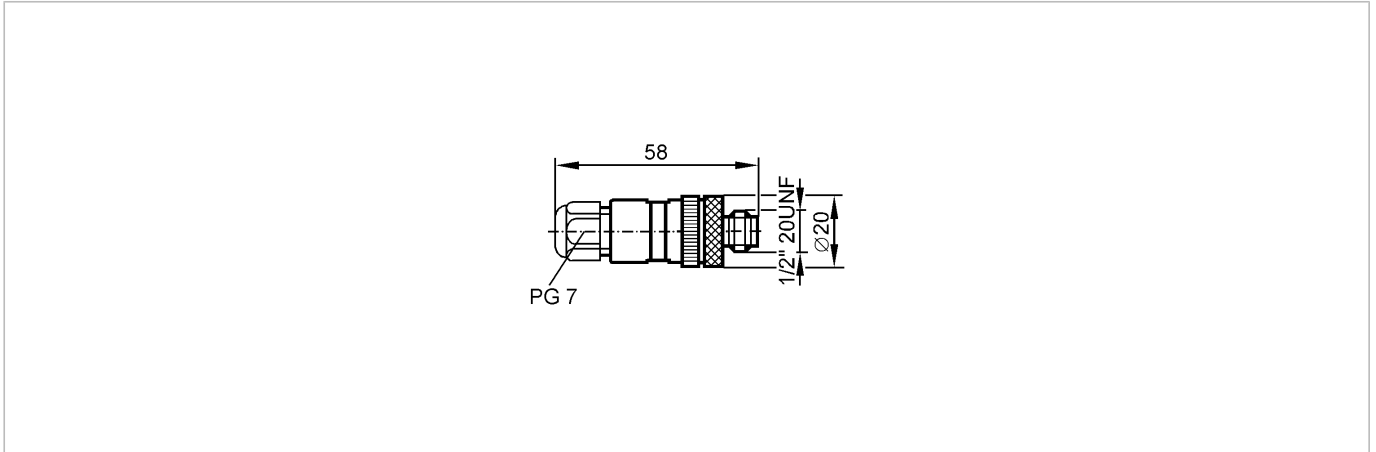
**ecomat 400**

E10788



SSTAA030MSSFKPG

Connection technology



Product characteristics

Wireable plug

1/2" connector

wireable

Electrical data

Electrical design

AC

Operating voltage [V]

250 AC

Environment

Ambient temperature [°C]

-25...90

Protection

IP 67

Mechanical data

Design

straight

Material body

PA

Material nut

brass; nickel-plated

Weight [kg]

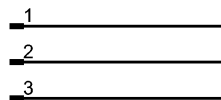
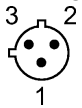
0.02

Electrical connection

Connection

wireable; ...0.75 mm<sup>2</sup> / PG 7

Wiring



Remarks

Pack quantity

[piece]

1

ifm efector, inc. • 1100 Atwater Drive • Malvern • PA 19355 — We reserve the right to make technical alterations without prior notice. — US — E10788 — 06.03.2003

no longer available - archive entryreplaced by: E10788

In USA, priced and sold in pack of 1 piece