

no longer available - archive entry replaced by: EBC012

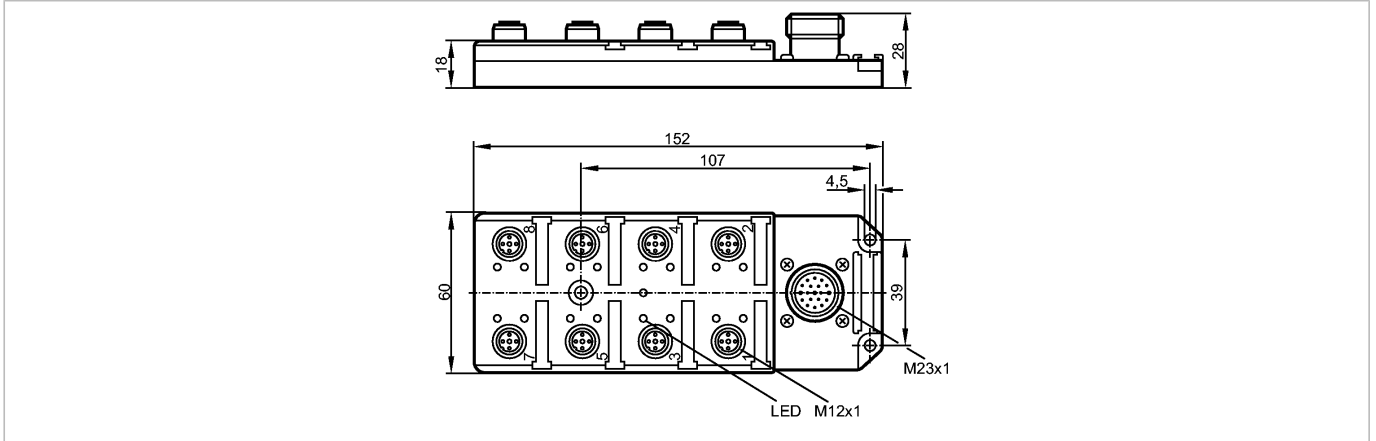
ecomat 400

E10659



ZDO8H059MSS0000-00STAM190MSS

Connection technology



Product characteristics

Wiring block

M23 connector

Free from halogen

Free from silicone

gold-plated contacts

Electrical data

Electrical design

Operating voltage [V]

Max. total current load [A]

Max. current load per location [A]

Protection class

Environment

Ambient temperature [°C]

Protection

Mechanical data

Design

Housing materials

Tightening torque for knurled nut [Nm]

Weight [kg]

Displays / operating elements

Output status indication LED

Power LED

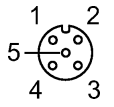
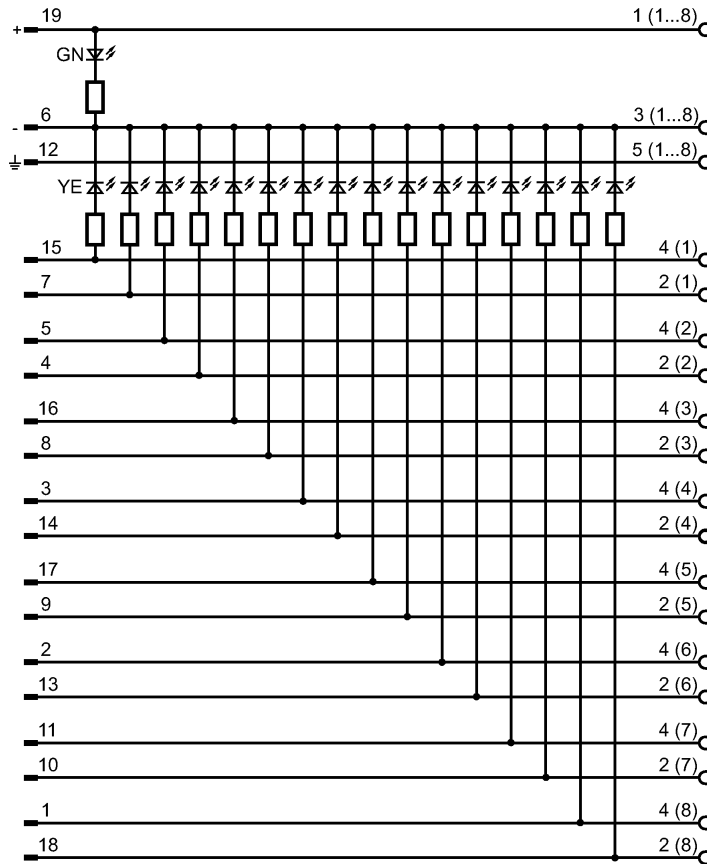
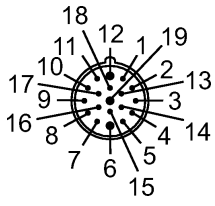
Electrical connection

Connection

Wiring

| | |
|--|----------------|
| | DC |
| | 10...30 DC |
| | 10 |
| | 4 |
| | II |
| | |
| | -15...80 |
| | IP 67 |
| | |
| | 8 way |
| | TPU (urethane) |
| | 0.5 |
| | 0.278 |
| | |
| | 16 x yellow |
| | green |
| | |
| | M23 connector |

E10659 - Wiring block - eclass: 27279201 / 27-27-92-01



| | |
|---------------|-----------|
| Remarks | |
| Pack quantity | [piece] 1 |
| Other data | |
| Ports | M12 |

ifm efector, inc. • 1100 Atwater Drive • Malvern • PA 19355 — We reserve the right to make technical alterations without prior notice. — US — E10659 — 17.09.2010
 no longer available - archive entry replaced by: EBC012