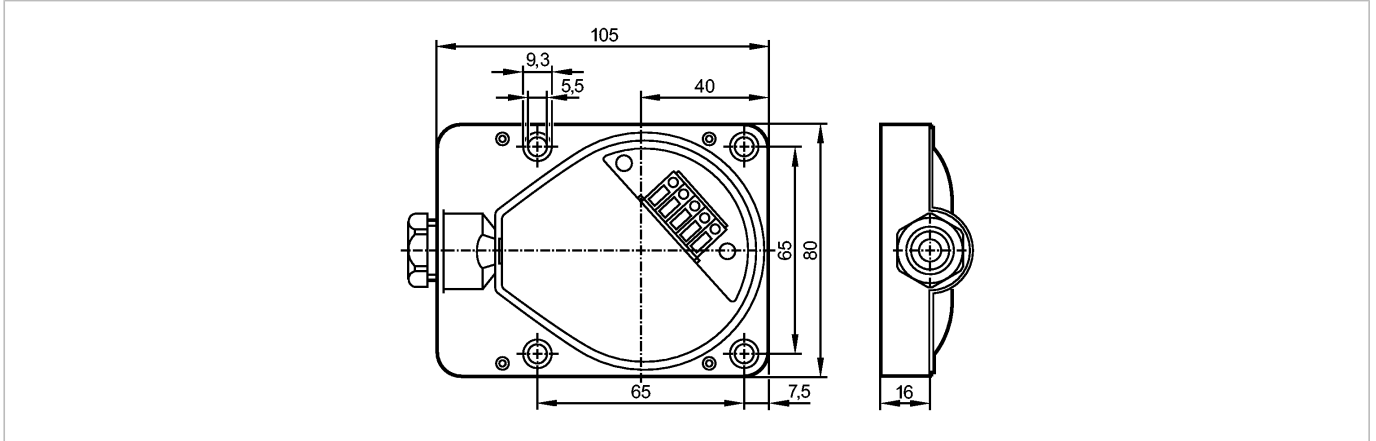


MOUNTING BASE NPT IDE/KDE

Accessories



Product characteristics

Mounting base

IDE/KDE

Mechanical data

Housing materials

PPE

Weight

[kg]

0.073

Connection

terminals up to 2.5 mm²

Cable gland

NPT

Remarks

Pack quantity

[piece]

1