

no longer available - archive entry replaced by: EBC006

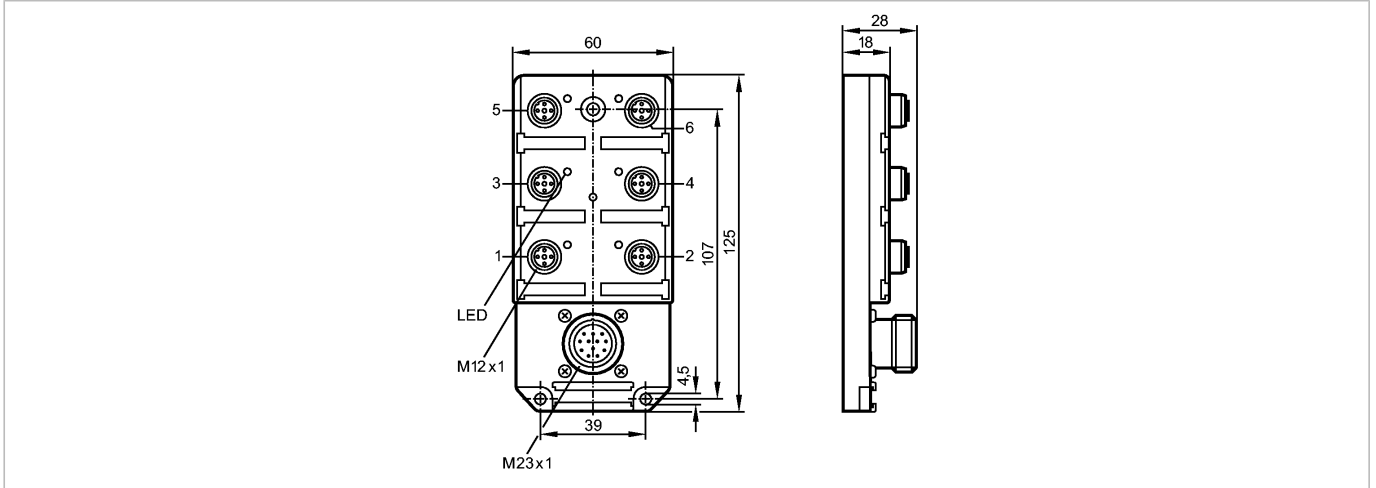
ecomat 400

E10445



ZDO6H057MSS0000-00STAM120MSS

Connection technology



Product characteristics

Wiring block

M23 connector

Free from halogen

Free from silicone

gold-plated contacts

Electrical data

Electrical design

Operating voltage [V]

Max. total current load [A]

Max. current load per location [A]

Protection class

Environment

Ambient temperature [°C]

Protection

Mechanical data

Design

Housing materials

Tightening torque for knurled nut [Nm]

Weight [kg]

Displays / operating elements

Output status indication LED

Power LED

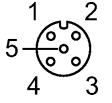
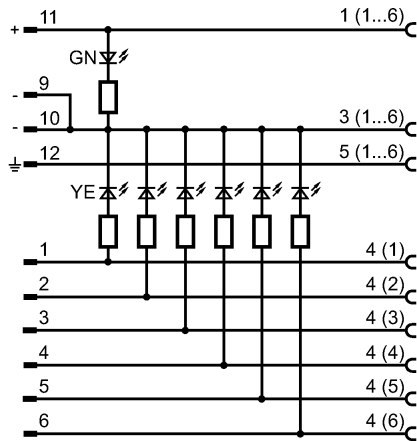
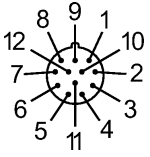
Electrical connection

Connection

Wiring

	DC
Operating voltage [V]	10...30 DC
Max. total current load [A]	12
Max. current load per location [A]	4
Protection class	II
Ambient temperature [°C]	-15...80
Protection	IP 67
Design	6 way
Housing materials	TPU (urethane)
Tightening torque for knurled nut [Nm]	0.5
Weight [kg]	0.23
Output status indication LED	6 x yellow
Power LED	green
Connection	M23 connector

E10445 - Wiring block - eclass: 27279201 / 27-27-92-01



Remarks		
Pack quantity	[piece]	1
Other data		
Ports		M12

ifm efector, inc. • 1100 Atwater Drive • Malvern • PA 19355 — We reserve the right to make technical alterations without prior notice. — US — E10445 — 06.03.2003
 no longer available - archive entry replaced by: EBC006