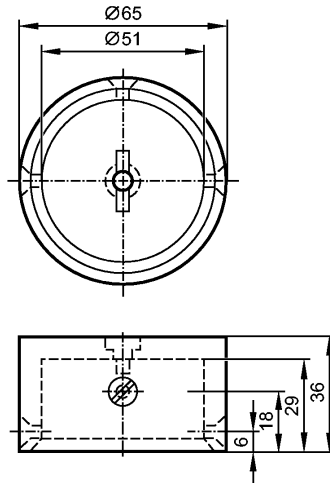




Puck/IND/5

Accessories



Product characteristics

Target puck

Ø 65 mm

3 possible switching flag positions

Mechanical data

Design

for mechanical interfaces to ISO 5211 (DIN 3337) on
pneumatic actuators or manually-operated valves

Housing materials

Target puck: POM (polyoxymethylene)

Weight [kg]

0.094

Remarks

Pack quantity [piece]

1

Other data

Shaft height [mm]

30

Hole spacing 80 mm

80