

no longer available - archive entry replaced by: EBC027

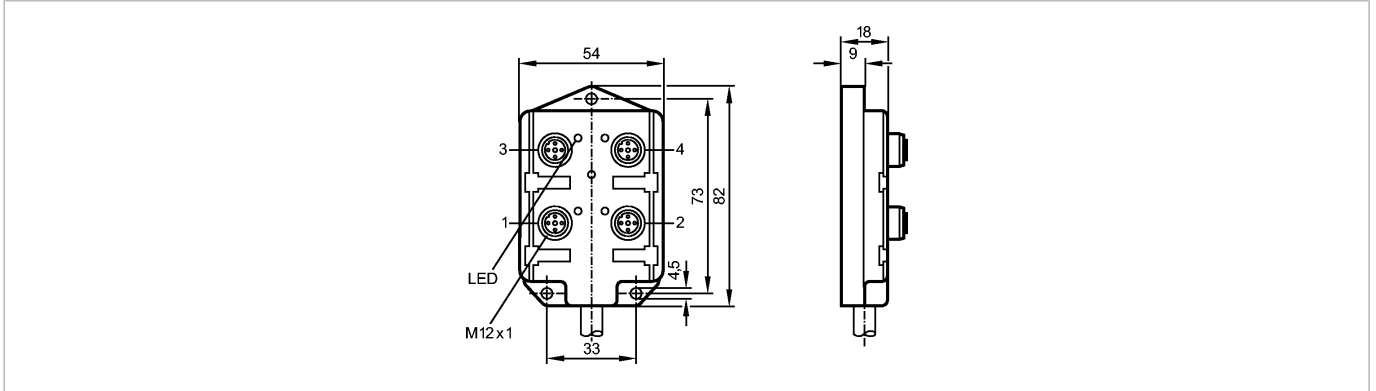
**ecomat 400**

E10279



ZDO4H055MSS0010H07

Connection technology



Product characteristics

Wiring block

Cable

Free from halogen

Free from silicone

gold-plated contacts

Electrical data

Electrical design

Operating voltage [V]

Max. total current load [A]

Max. current load per location [A]

Protection class

Environment

Ambient temperature [°C]

Protection

Mechanical data

Design

Housing materials

Tightening torque for knurled nut [Nm]

Weight [kg]

Displays / operating elements

Output status indication LED

Power LED

Electrical connection

Connection

Sheath color

**Wiring**

DC

10...30 DC

12

4

II

-15...80

IP 67

4 way

TPU (urethane)

0.5

0.795

4 x yellow

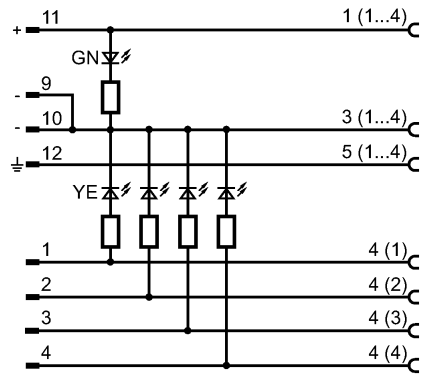
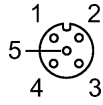
green

PUR cable / 10 m;  
4 x 0.34 mm<sup>2</sup> (43 x Ø 0.1 mm) + 3 x 0.75 mm<sup>2</sup> (95 x Ø 0.1 mm); Ø 8.4 mm;  
halogen-free

black

# E10279 - Wiring block - eclass: 27279201 / 27-27-92-01

Core colors  
 BN brown  
 BU blue  
 GN green  
 GN/YE green/yellow  
 GY grey  
 WH white  
 YE yellow



Remarks

Pack quantity [piece] 1

Other data

Ports M12

ifm efector, inc. • 1100 Atwater Drive • Malvern • PA 19355 — We reserve the right to make technical alterations without prior notice. — US — E10279 — 05.03.2014  
 no longer available - archive entryreplaced by: EBC027