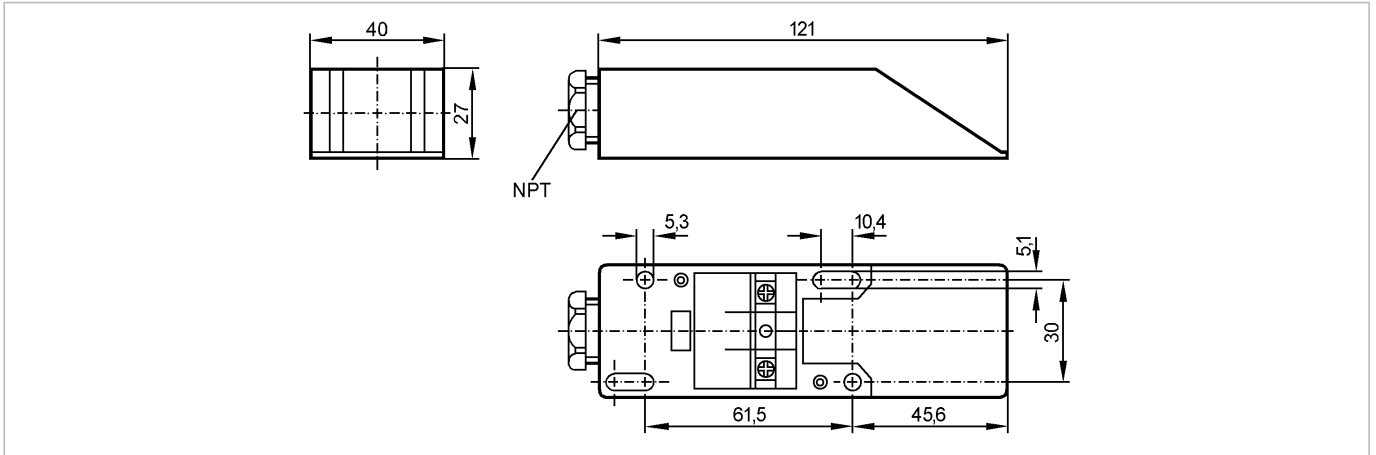


MOUNTING BASE NPT/IME/2WIRE

Accessories



Product characteristics

Mounting base

IME

Mechanical data

Design

for 2-wire sensors

Housing materials

PPE

Weight [kg]

0.063

Connection

terminals up to 2.5 mm²

Cable gland

NPT

Remarks

Pack quantity [piece]

1