

no longer available - archive entry

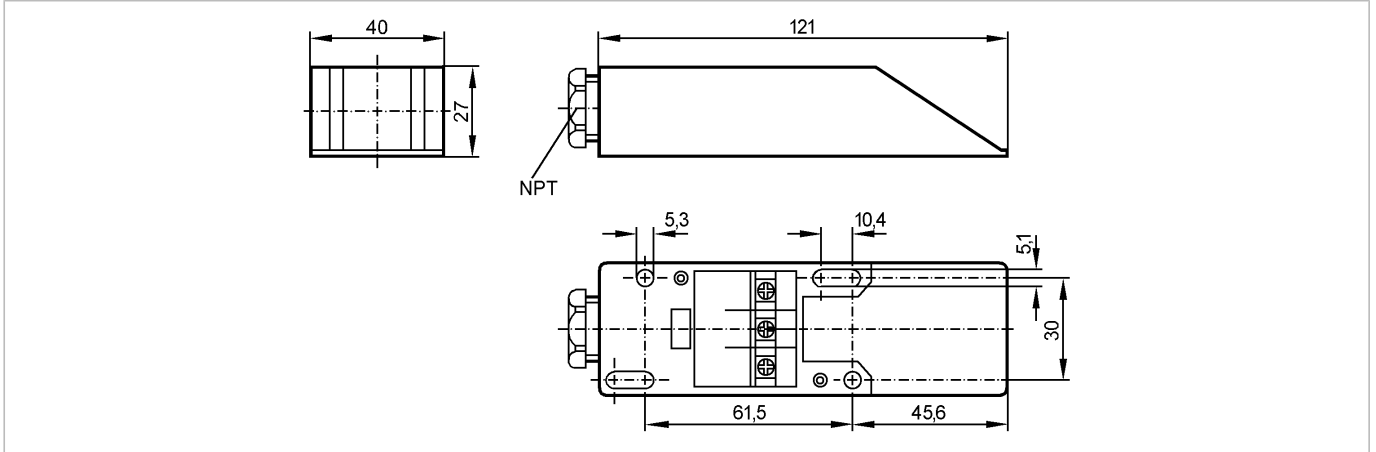
efector100

E10269



Montagesockel/IME/3L/NPT

Accessories



Product characteristics

Mounting base

IME

Mechanical data

Design

for 3-wire sensors

Housing materials

PPE

Weight

[kg]

0.051

Remarks

Pack quantity

[piece]

1

Other data

Connection

terminals up to 2.5 mm²

ifm efector, inc. • 1100 Atwater Drive • Malvern • PA 19355 — We reserve the right to make technical alterations without prior notice. — US — E10269 — 06.03.2003

no longer available - archive entry