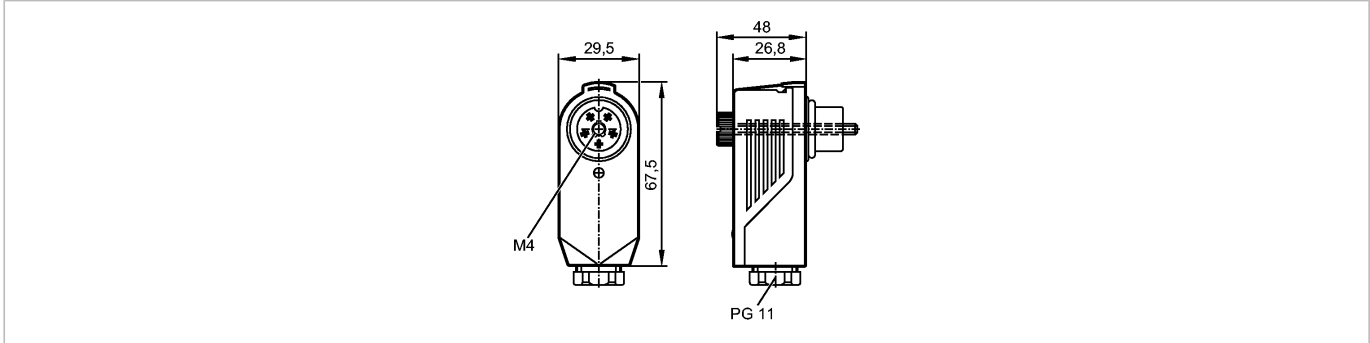




SDOAT050--SFKPG

Connection technology



Product characteristics

Wirable socket	
For sensors with	
Ø 28 mm connector	
wirable	
Electrical data	
Electrical design	AC/DC
Operating voltage [V]	20...250 AC/DC
Environment	
Ambient temperature [°C]	-25...80
Protection	IP 65
Mechanical data	
Design	angled
Housing materials	PA
Weight [kg]	0.065
Electrical connection	
Connection	terminals; ...1.5 mm <sup>2</sup> (Ø 5...11 mm)

**Wiring**



Remarks

Pack quantity	[piece]	1
---------------	---------	---