

**MODEL NUMBER**

DXS-Z41GM3S0000R

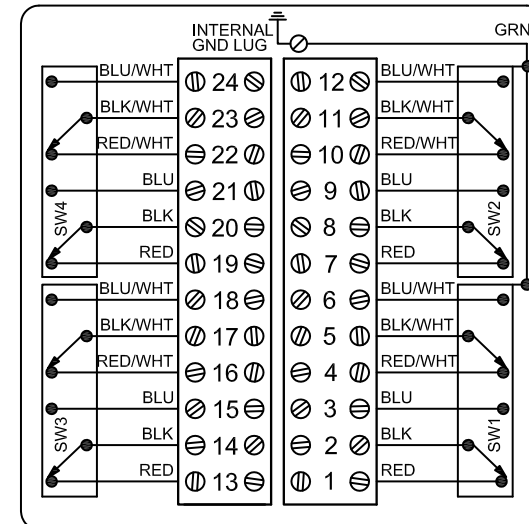
**PRODUCT LINE**

Switchbox DXP and DXS

**SPECIFICATIONS**

Enclosure	316 stainless steel
Bus/Sensor	(4) GO™ Switches DPDT hermetic seal
Area Classification	Explosion proof / flame proof
Visual Display	Standard 90° Green OPEN, Red CLOSED
Shaft	NAMUR 316 stainless steel
Conduit Entries	(4) M20
O-Rings	Silicone
Pilot	No pilot device(s)
Spool Valve	No spool valve
Valve Cv	No valve Cv
Manual Override	No manual override
Regional Certification	EAC
N Switch	No N Switch

**WIRING DIAGRAM**



**NAMEPLATE**



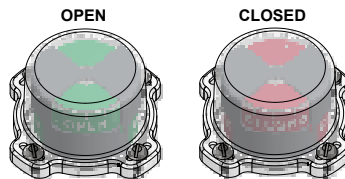
1 Ex d IIB + H, T6 Gb; Ex tb IIIC T85° C Db; IP66/67  
 -60°C ≤ Ta ≤ 60°C  
 TC RU C-US, F608.B.02500  
 SWITCH: DPDT 4A/120VAC; 3A/24VDC Hermetically Sealed

Telemetering Equipment for use in Hazardous Locations  
**WARNING:** Disconnect the power before servicing. Keep tightly closed during operation. Must be known to be non-hazardous area before servicing. Clean only with damp cloth.

TopWorx  
 3300 Fern Valley Road  
 Louisville, KY 40213 USA  
 www.topworx.com

Model #:

Serial #:



www.electrosupply.com  
 sales@electrosupply.com  
 1-800-663-6576