

MODEL NUMBER

DXS-LH1GM3B

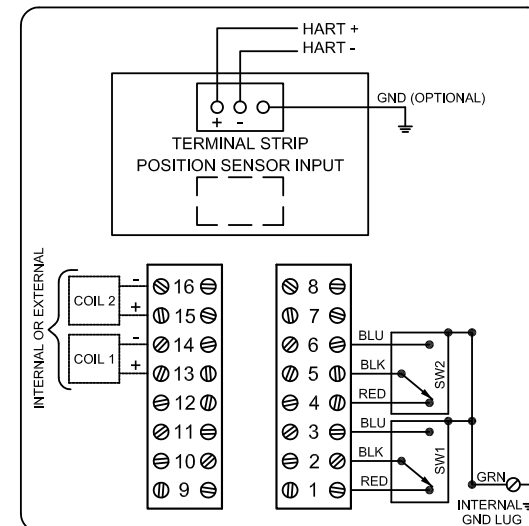
PRODUCT LINE

Switchbox DXP and DXS

SPECIFICATIONS

| | |
|------------------------|-------------------------------------|
| Enclosure | 316 stainless steel |
| Bus/Sensor | HART transmitter w/ GO™ Switch SPDT |
| Area Classification | Explosion proof / flame proof |
| Visual Display | Standard 90° Green OPEN, Red CLOSED |
| Shaft | NAMUR 316 stainless steel |
| Conduit Entries | (4) M20 |
| O-Rings | Buna-N |
| Pilot | No pilot device(s) |
| Spool Valve | No spool valve |
| Valve Cv | No valve Cv |
| Manual Override | No manual override |
| Regional Certification | No regional certification |
| N Switch | No N Switch |

WIRING DIAGRAM



NAMEPLATE



CI I Div 1, Grps C-D; CI I Div 2, Grps A-D; Type 4X
 Ex d IIB + H₂ T6 Gb, IP66/67
 -50 C ≤ T_a ≤ 60 C
 SIRA 07ATEX1273X IECEX SIR 07.0093X
 SWITCH: SPDT 4A/120VAC; 3A/24VDC Hermetically Sealed
 HART 4-20mA; 13.5 to 39VDC, 24mA

Telemetering Equipment for use in Hazardous Locations
WARNING: Disconnect the power before servicing. Keep tightly closed during operation. Must be known to be non-hazardous area before servicing. Clean only with damp cloth.
AVERTISSEMENT: Débranchez l'alimentation avant l'entretien. Conservez hermétiquement fermé pendant le fonctionnement. Doivent être connus pour être des zones non dangereuses avant l'entretien.

TopWorx
 3300 Fern Valley Road
 Louisville, KY 40213 USA
 www.topworx.com

Model #:

Serial #:



Electrol

www.electrosupply.com
 sales@electrosupply.com
 1-800-663-6576