



MODEL NUMBER

DXS-0H2BREB

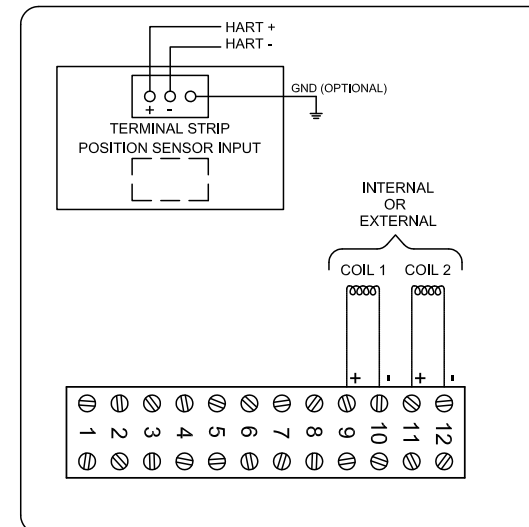
PRODUCT LINE

Switchbox DXP and DXS

SPECIFICATIONS

Enclosure	316 stainless steel
Bus/Sensor	HART transmitter
Area Classification	Non-incendive
Visual Display	90° Black OPEN, Yellow CLOSED
Shaft	1/4" DD 316 stainless steel
Conduit Entries	(2) 3/4" NPT
O-Rings	Buna-N
Pilot	No pilot device(s)
Spool Valve	No spool valve
Valve Cv	No valve Cv
Manual Override	No manual override
Regional Certification	No regional certification
N Switch	No N Switch

WIRING DIAGRAM



NAMEPLATE



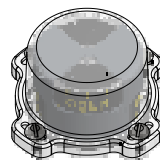
CI I Div 2, Grps A-D; Type 4X
Ex nA nC IIC T6 Cc; IP66/67
-50 C ≤ Ta ≤ 50 C
HART 4-20mA: 13.5 to 39VDC, 24mA

Telemetry Equipment for use in Hazardous Locations
WARNING: Substitution of components may impair suitability for use in Class I, Division 2 or Zone 2 environments. Must be known to be non-hazardous area before servicing. Clean only with damp cloth.
AVERTISSEMENT: La substitution de composants peut altérer l'aptitude pour une utilisation dans Classe I, Division 2 environnements. Doivent être connus pour être des zones non dangereuses avant l'entretien.

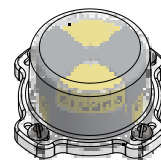
TopWorx
3300 Fern Valley Road
Louisville, KY 40213 USA
www.topworx.com

Serial #:

OPEN



CLOSED



Model #:

Electrol

www.electrosupply.com
sales@electrosupply.com
1-800-663-6576