

**MODEL NUMBER**

**DXR-M2WGNES1A2**

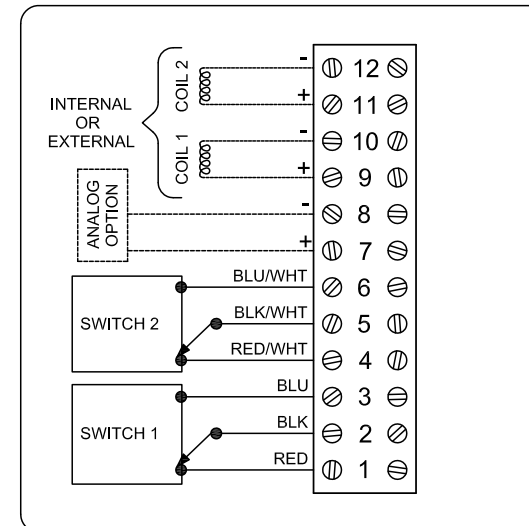
**PRODUCT LINE**

**Switchbox DXR**

**SPECIFICATIONS**

Enclosure	Composite resin
Bus/Sensor	(2) Mechanical SPDT
Area Classification	No approvals
Visual Display	Standard 90° Green OPEN, Red CLOSED
Shaft	NAMUR 304 stainless steel
Conduit Entries	(2) 3/4" NPT
O-Rings	Silicone
Pilot	(1) 24Vdc pilot, fail open/closed
Spool Valve	Aluminum hard coat anodized
Valve Cv	0.86 Cv (1/4" NPT Ports)
Manual Override	No manual override
Regional Certification	No regional certification
N Switch	No N Switch

**WIRING DIAGRAM**



**NAMEPLATE**



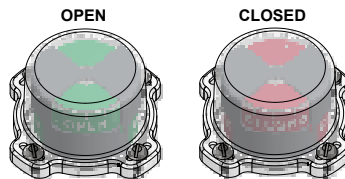
Type 4X  
IP65

**TOPWORX**  
INDUSTRIAL CONTROL EQUIPMENT

TopWorx  
3300 Fern Valley Road  
Louisville, KY 40213 USA  
www.topworx.com

Model #:

Serial #:



**Electrol**

www.electrosupply.com  
sales@electrosupply.com  
1-800-663-6576