

MODEL NUMBER

DXR-L40GSES

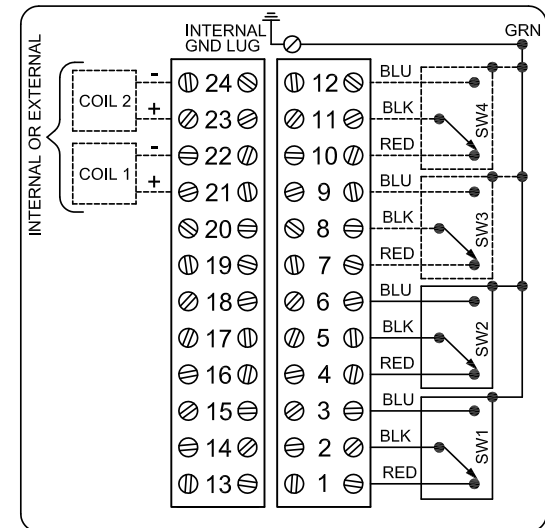
PRODUCT LINE

Switchbox DXR

SPECIFICATIONS

| | |
|------------------------|-------------------------------------|
| Enclosure | Composite resin |
| Bus/Sensor | (4) GO™ Switches SPDT hermetic seal |
| Area Classification | Intrinsically safe |
| Visual Display | Standard 90° Green OPEN, Red CLOSED |
| Shaft | 1/4" DD 304 stainless steel |
| Conduit Entries | (2) 3/4" NPT |
| O-Rings | Silicone |
| Pilot | No pilot device(s) |
| Spool Valve | No spool valve |
| Valve Cv | No valve Cv |
| Manual Override | No manual override |
| Regional Certification | No regional certification |
| N Switch | No N Switch |

WIRING DIAGRAM



NAMEPLATE



Ex ia IIC T6 Gb; Ex tb IIC T55°C Db; IP67
 -20°C ≤ Ta ≤ 42°C
 SIR4 14ATEX2241X IECEx SIR 14.0078X
 SWITCH: Ui=30V, Ii=200mA, Pi=0.34W (per switch circuit)

Telemetering Equipment for use in Hazardous Locations
WARNING: Substitution of components may impair intrinsic safety. The installer shall confirm which certified sub-assemblies are fitted and ensure compliance with the entity parameters in the appropriate certificate.

TopWorx
 3300 Fern Valley Road
 Louisville, KY 40213 USA
 www.topworx.com

Model #:

Serial #:



www.electrosupply.com
 sales@electrosupply.com
 1-800-663-6576