

MODEL NUMBER

DXR-L2GGSES

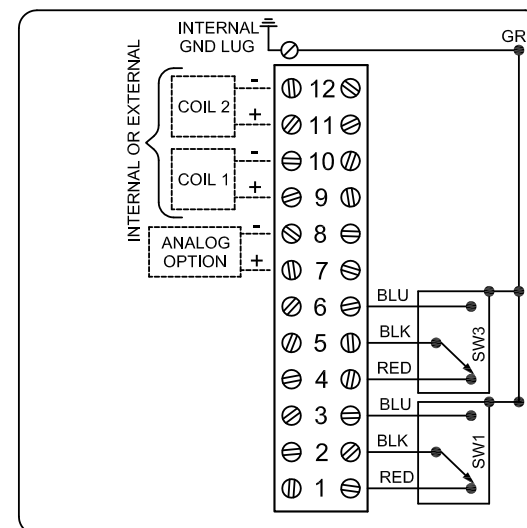
PRODUCT LINE

Switchbox DXR

SPECIFICATIONS

Enclosure	Composite resin
Bus/Sensor	(2) GO™ Switches SPDT hermetic seal
Area Classification	General purpose
Visual Display	Standard 90° Green OPEN, Red CLOSED
Shaft	1/4" DD 304 stainless steel
Conduit Entries	(2) 3/4" NPT
O-Rings	Silicone
Pilot	No pilot device(s)
Spool Valve	No spool valve
Valve Cv	No valve Cv
Manual Override	No manual override
Regional Certification	No regional certification
N Switch	No N Switch

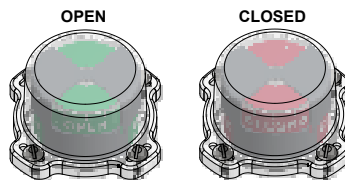
WIRING DIAGRAM



NAMEPLATE



TOPWORX
INDUSTRIAL CONTROL EQUIPMENT



Type 4X
0°C ≤ Ta ≤ 35°C
General Purpose
SWITCH: SPDT 4A/120VAC; 3A/24VDC Hermetically Sealed

TopWorx
3300 Fern Valley Road
Louisville, KY 40213 USA
www.topworx.com

Model #:

Serial #:

Electrol

www.electrosupply.com
sales@electrosupply.com
1-800-663-6576