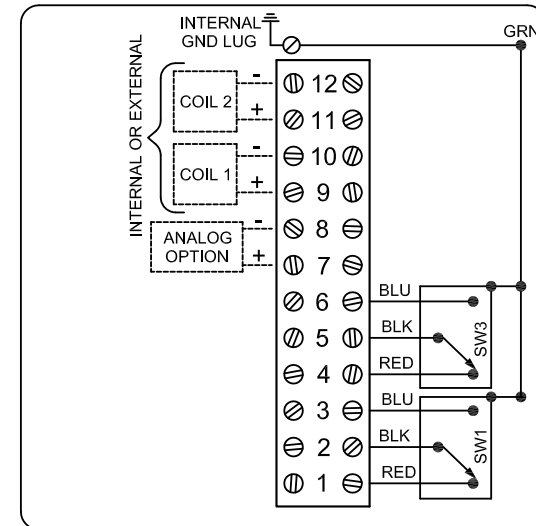
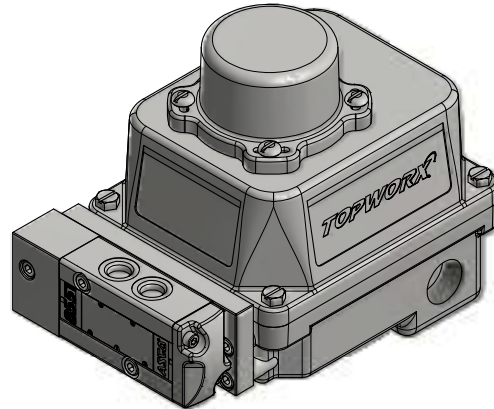
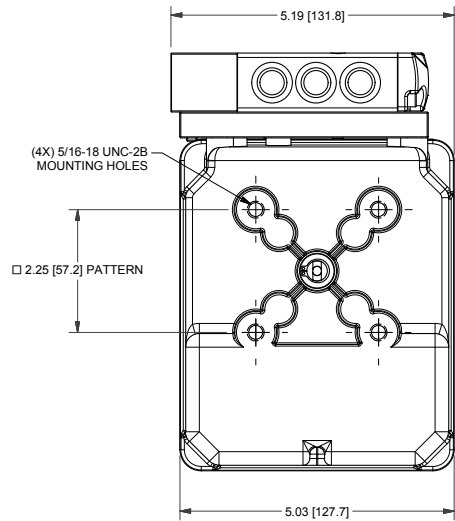
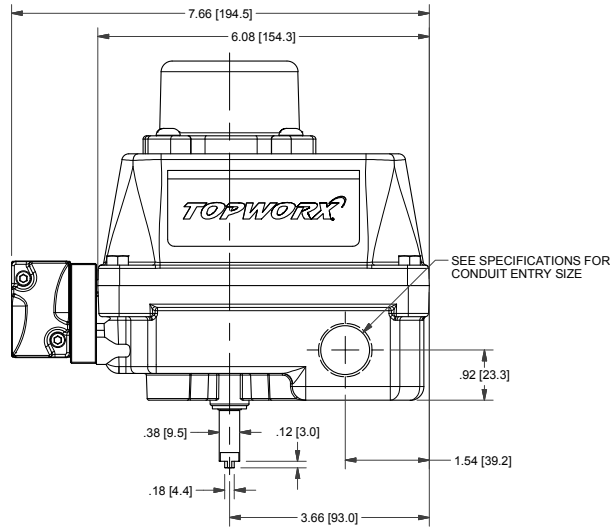
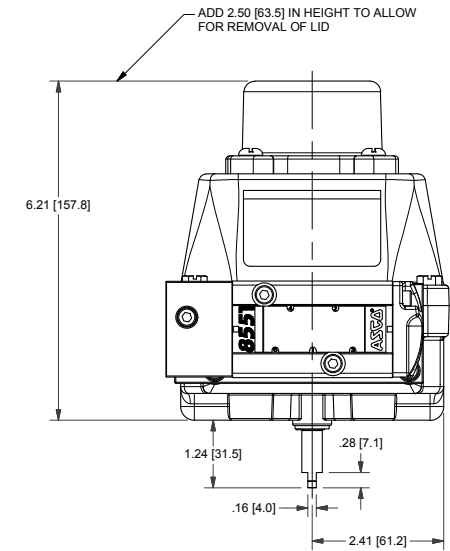


DXR-L2GGNES1A2

Switchbox DXR

Enclosure	Composite resin
Bus/Sensor	(2) GO™ Switches SPDT hermetic seal
Area Classification	General purpose
Visual Display	Standard 90° Green OPEN, Red CLOSED
Shaft	NAMUR 304 stainless steel
Conduit Entries	(2) 3/4" NPT
O-Rings	Silicone
Pilot	(1) 24Vdc pilot, fail open/closed
Spool Valve	Aluminum hard coat anodized
Valve Cv	0.86 Cv (1/4" NPT Ports)
Manual Override	No manual override
Regional Certification	No regional certification
N Switch	No N Switch



Type 4X
IP65
0°C ≤ Ta ≤ 35°C
General Purpose
SWITCH: SPDT 4A/120VAC; 3A/24VDC Hermetically Sealed
PILOT: 24 VDC

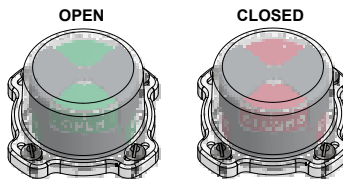
Model #:



TOPWORX
INDUSTRIAL CONTROL EQUIPMENT

TopWork
3300 Fern Valley Road
Louisville, KY 40213 USA
www.topwork.com

Serial #:



Electrol
www.electrosupply.com
sales@electrosupply.com
1-800-663-6576