

MODEL NUMBER

DXR-L22GNES162

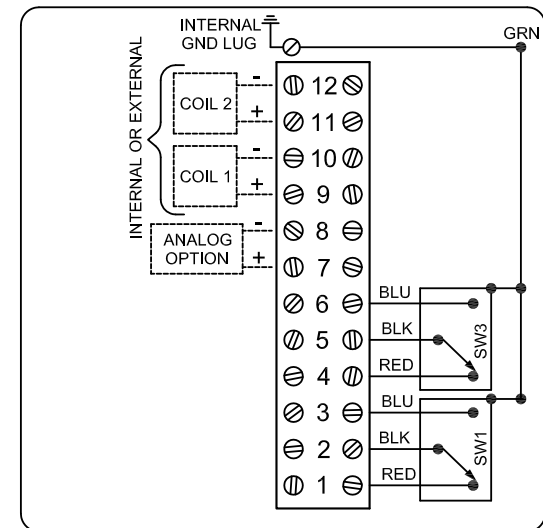
PRODUCT LINE

Switchbox DXR

SPECIFICATIONS

Enclosure	Composite resin
Bus/Sensor	(2) GO™ Switches SPDT hermetic seal
Area Classification	Non-incendive
Visual Display	Standard 90° Green OPEN, Red CLOSED
Shaft	NAMUR 304 stainless steel
Conduit Entries	(2) 3/4" NPT
O-Rings	Silicone
Pilot	(1) 24Vdc pilot, fail open/closed
Spool Valve	316 stainless steel
Valve Cv	0.86 Cv (1/4" NPT Ports)
Manual Override	No manual override
Regional Certification	No regional certification
N Switch	No N Switch

WIRING DIAGRAM



NAMEPLATE



CI I Div 2, Grps A-D; CI II Div 2, Grps F-G; Type 4X
 Ex nA nC IIC T4 Gc; Ex tc IIIC T59°C Dc; IP65
 -40°C ≤ Ta ≤ 50°C
 SWITCH: SPDT 4A/120VAC; 3A/24VDC Hermetically Sealed
 PILOT: 24 VDC

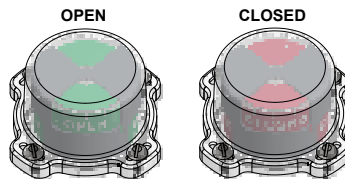
Model #:

Telemetering Equipment for use in Hazardous Locations
WARNING: Substitution of components may impair suitability for use in Class I, Division 2 or Zone 2 environments. Must be known to be non-hazardous area before servicing. Clean only with damp cloth.

AVERTISSEMENT: La substitution de composants peut altérer l'aptitude pour une utilisation dans Classe I, Division 2 environnements. Doivent être connus pour être des zones non dangereuses avant l'entretien.

TopWork
 3300 Fern Valley Road
 Louisville, KY 40213 USA
 www.topwork.com

Serial #:



Electrol

www.electrosupply.com
 sales@electrosupply.com
 1-800-663-6576