

MODEL NUMBER

DXR-L223SES1A2

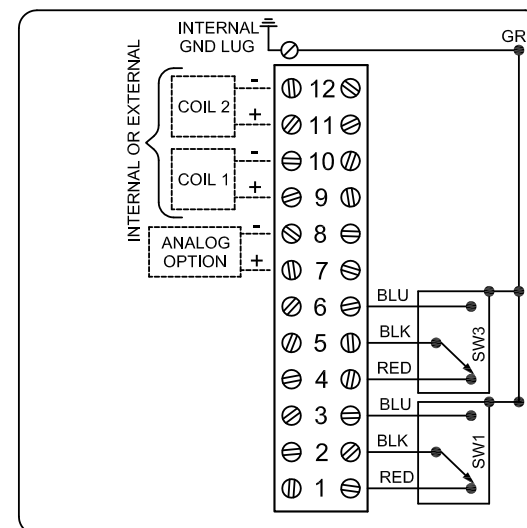
PRODUCT LINE

Switchbox DXR

SPECIFICATIONS

Enclosure	Composite resin
Bus/Sensor	(2) GO™ Switches SPDT hermetic seal
Area Classification	Non-incendive
Visual Display	3 way, 90° T Port
Shaft	1/4" DD 304 stainless steel
Conduit Entries	(2) 3/4" NPT
O-Rings	Silicone
Pilot	(1) 24Vdc pilot, fail open/closed
Spool Valve	Aluminum hard coat anodized
Valve Cv	0.86 Cv (1/4" NPT Ports)
Manual Override	No manual override
Regional Certification	No regional certification
N Switch	No N Switch

WIRING DIAGRAM



NAMEPLATE



CI I Div 2, Grps A-D; CI II Div 2, Grps F-G; Type 4X  
 Ex: nA: IIC T4 Gc; Ex: tc: IIIC T59°C Dc; IP65  
 -40°C < Ta < 50°C  
 SWITCH: SPDT 4A/120VAC; 3A/24VDC Hermetically Sealed  
 PILOT: 24 VDC

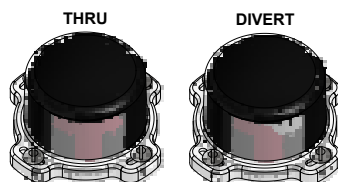
Model #:

Telemetering Equipment for use in Hazardous Locations  
**WARNING:** Substitution of components may impair suitability for use in Class I, Division 2 or Zone 2 environments. Must be known to be non-hazardous area before servicing. Clean only with damp cloth.

**AVERTISSEMENT:** La substitution de composants peut altérer l'applicabilité pour une utilisation dans Classe I, Division 2 environnements. Doivent être connus pour être des zones non dangereuses avant l'entretien.

TopWork  
 3300 Fern Valley Road  
 Louisville, KY 40213 USA  
 www.topwork.com

Serial #:



**Electrol**

www.electrosupply.com  
 sales@electrosupply.com  
 1-800-663-6576