

MODEL NUMBER

DXR-FF2GNESPA2

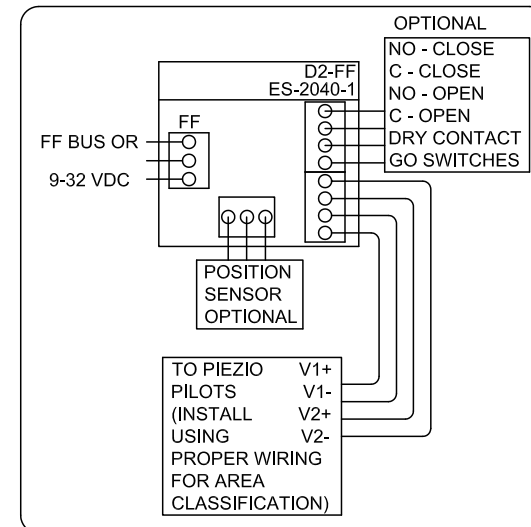
PRODUCT LINE

Switchbox DXR

SPECIFICATIONS

| | |
|------------------------|--|
| Enclosure | Composite resin |
| Bus/Sensor | Foundation Fieldbus w/ 0-10K potentiometer |
| Area Classification | Non-incendive |
| Visual Display | Standard 90° Green OPEN, Red CLOSED |
| Shaft | NAMUR 304 stainless steel |
| Conduit Entries | (2) 3/4" NPT |
| O-Rings | Silicone |
| Pilot | (1) piezo pilot, fail open/closed |
| Spool Valve | Aluminum hard coat anodized |
| Valve Cv | 0.86 Cv (1/4" NPT Ports) |
| Manual Override | No manual override |
| Regional Certification | No regional certification |
| N Switch | No N Switch |

WIRING DIAGRAM



NAMEPLATE

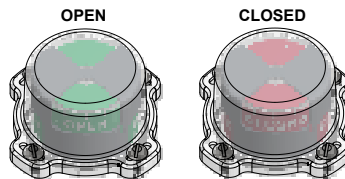


CI I Div 2, Grps A-D; CI II Div 2, Grps F-G; Type 4X
Gc: T80 C IP65
-20 C ≤ Ta ≤ 50 C
Install per Control Drawing ES-03468-1

TopWork
3300 Fern Valley Road
Louisville, KY 40213 USA
www.topwork.com

Model #:

Serial #:



Electrol

www.electrosupply.com
sales@electrosupply.com
1-800-663-6576