

**MODEL NUMBER**

**DXR-FF2BNPSPA2**

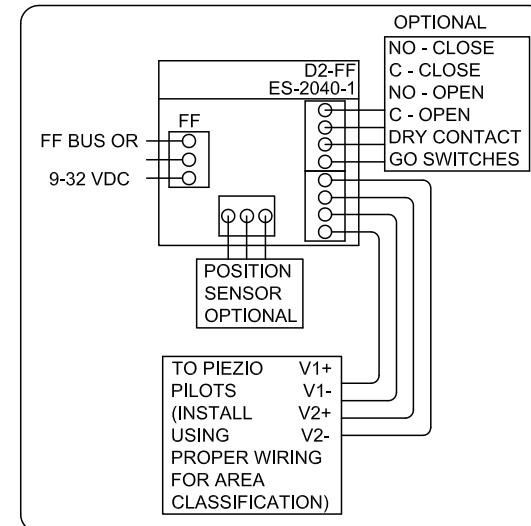
**PRODUCT LINE**

**Switchbox DXR**

**SPECIFICATIONS**

Enclosure	Composite resin
Bus/Sensor	Foundation Fieldbus w/ 0-10K potentiometer
Area Classification	Non-incendive
Visual Display	90° Black OPEN, Yellow CLOSED
Shaft	NAMUR 304 stainless steel
Conduit Entries	(2) 1/2" NPT
O-Rings	Silicone
Pilot	(1) piezo pilot, fail open/closed
Spool Valve	Aluminum hard coat anodized
Valve Cv	0.86 Cv (1/4" NPT Ports)
Manual Override	No manual override
Regional Certification	No regional certification
N Switch	No N Switch

**WIRING DIAGRAM**



**NAMEPLATE**



CI I Div 2, Grps A-D; CI II Div 2, Grps F-G; Type 4X  
Gc: T80 C IP65  
-20 C ≤ Ta ≤ 50 C  
Install per Control Drawing ES-03468-1

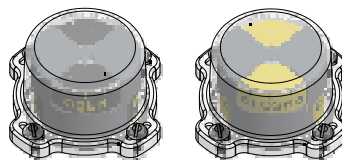
TopWorx  
3300 Fern Valley Road  
Louisville, KY 40213 USA  
www.topworx.com

Model #:

Serial #:

**OPEN**

**CLOSED**



**Electrol**

www.electrosupply.com  
sales@electrosupply.com  
1-800-663-6576