

**MODEL NUMBER**

**DXR-E20GSES**

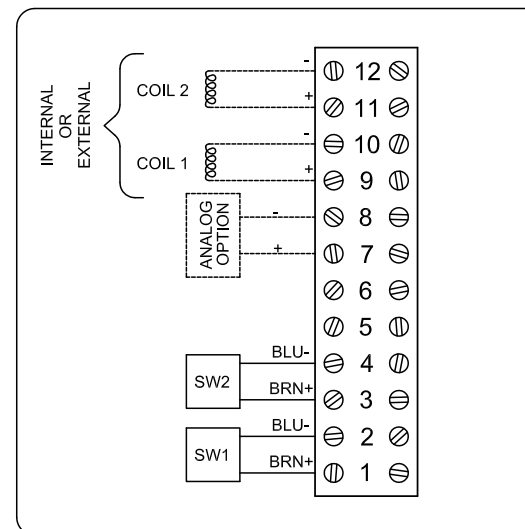
**PRODUCT LINE**

**Switchbox DXR**

**SPECIFICATIONS**

Enclosure	Composite resin
Bus/Sensor	(2) P+F NJ2-V3-N inductive NAMUR
Area Classification	Intrinsically safe
Visual Display	Standard 90° Green OPEN, Red CLOSED
Shaft	1/4" DD 304 stainless steel
Conduit Entries	(2) 3/4" NPT
O-Rings	Silicone
Pilot	No pilot device(s)
Spool Valve	No spool valve
Valve Cv	No valve Cv
Manual Override	No manual override
Regional Certification	No regional certification
N Switch	No N Switch

**WIRING DIAGRAM**



**NAMEPLATE**



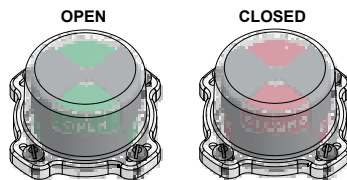
Ex ia IIC T6 Gb; Ex tb IIC T55°C Db; IP67  
 -20°C ≤ Ta ≤ 42°C  
 SIR 14ATEX2241X IECEx SIR 14.0078X  
 SWITCH: Ui=16V, Ii=25mA, Pi=64mW (Reference Switch Cert for Ci and Li)

Telemetering Equipment for use In Hazardous Locations  
**WARNING:** Substitution of components may impair intrinsic safety. The installer shall confirm which certified sub-assemblies are fitted and ensure compliance with the entity parameters in the appropriate certificate.

TopWorx  
 3300 Fern Valley Road  
 Louisville, KY 40213 USA  
 www.topworx.com

Model #:

Serial #:



**Electrol**

www.electrosupply.com  
 sales@electrosupply.com  
 1-800-663-6576