

MODEL NUMBER

DXR-E20GNES

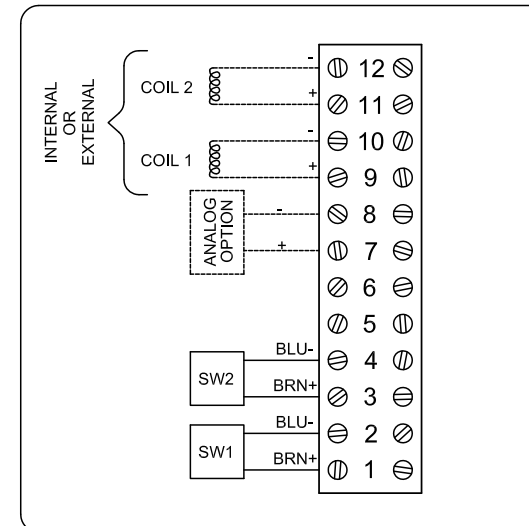
PRODUCT LINE

Switchbox DXR

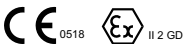
SPECIFICATIONS

Enclosure	Composite resin
Bus/Sensor	(2) P+F NJ2-V3-N inductive NAMUR
Area Classification	Intrinsically safe
Visual Display	Standard 90° Green OPEN, Red CLOSED
Shaft	NAMUR 304 stainless steel
Conduit Entries	(2) 3/4" NPT
O-Rings	Silicone
Pilot	No pilot device(s)
Spool Valve	No spool valve
Valve Cv	No valve Cv
Manual Override	No manual override
Regional Certification	No regional certification
N Switch	No N Switch

WIRING DIAGRAM



NAMEPLATE



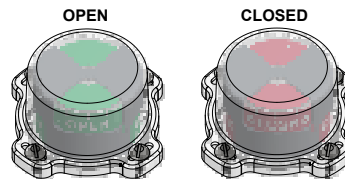
Ex ia IIC T6 Gb; Ex tb IIC T55°C Db; IP67
 -20°C ≤ Ta ≤ 42°C
 SIR4 14ATEX2241X IECEx SIR 14.0078X
 SWITCH: Ui=16V, Ii=25mA, Pi=64mW (Reference Switch Cert for Ci and Li)

Telemetering Equipment for use In Hazardous Locations
WARNING: Substitution of components may impair intrinsic safety. The installer shall confirm which certified sub-assemblies are fitted and ensure compliance with the entity parameters in the appropriate certificate.

TopWorx
 3300 Fern Valley Road
 Louisville, KY 40213 USA
 www.topworx.com

Model #:

Serial #:



Electrol

www.electrosupply.com
 sales@electrosupply.com
 1-800-663-6576