

MODEL NUMBER

DXR-ASGGNES1A2

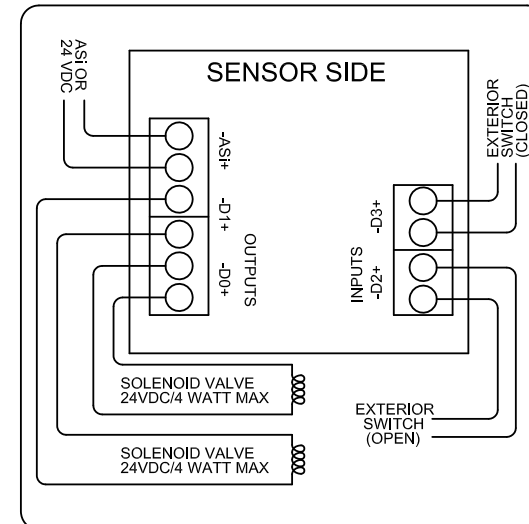
PRODUCT LINE

Switchbox DXR

SPECIFICATIONS

Enclosure	Composite resin
Bus/Sensor	AS-Interface w(2) SPDT GO Switches
Area Classification	General purpose
Visual Display	Standard 90° Green OPEN, Red CLOSED
Shaft	NAMUR 304 stainless steel
Conduit Entries	(2) 3/4" NPT
O-Rings	Silicone
Pilot	(1) 24Vdc pilot, fail open/closed
Spool Valve	Aluminum hard coat anodized
Valve Cv	0.86 Cv (1/4" NPT Ports)
Manual Override	No manual override
Regional Certification	No regional certification
N Switch	No N Switch

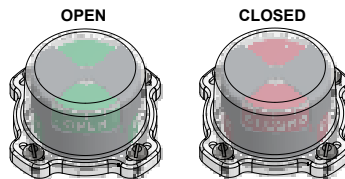
WIRING DIAGRAM



NAMEPLATE



TOPWORX
INDUSTRIAL CONTROL EQUIPMENT



Type 4X
IP65
0°C ≤ Ta ≤ 60°C
General Purpose
BUS: Max Current 250mA @ Max ASi Voltage 31.6V
PILOT: 24 VDC

TopWorx
3300 Fern Valley Road
Louisville, KY 40213 USA
www.topworx.com

Model #:

Serial #:

Electrol

www.electrosupply.com
sales@electrosupply.com
1-800-663-6576