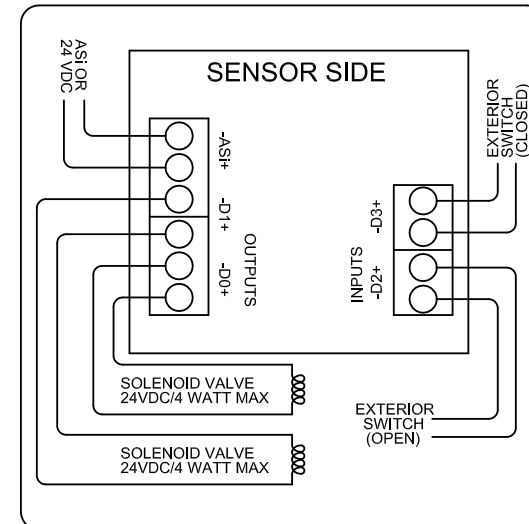


DXR-ASGBSES1A2

Switchbox DXR

Enclosure	Composite resin
Bus/Sensor	AS-Interface w(2) SPDT GO Switches
Area Classification	General purpose
Visual Display	90° Black OPEN, Yellow CLOSED
Shaft	1/4" DD 304 stainless steel
Conduit Entries	(2) 3/4" NPT
O-Rings	Silicone
Pilot	(1) 24Vdc pilot, fail open/closed
Spool Valve	Aluminum hard coat anodized
Valve Cv	0.86 Cv (1/4" NPT Ports)
Manual Override	No manual override
Regional Certification	No regional certification
N Switch	No N Switch



Type 4X
IP65
0°C ≤ Ta ≤ 60°C
General Purpose
BUS: Max Current 250mA @ Max ASI Voltage 31.6V
PILOT: 24 VDC

Model #:

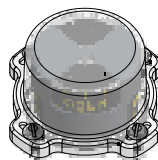


TOPWORX
INDUSTRIAL CONTROL EQUIPMENT

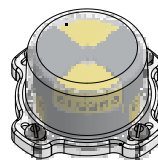
TopWorx
3300 Fern Valley Road
Louisville, KY 40213 USA
www.topworx.com

Serial #:

OPEN



CLOSED



Electrol

www.electrosupply.com
sales@electrosupply.com
1-800-663-6576