

MODEL NUMBER

DXR-AS2BSES1A2

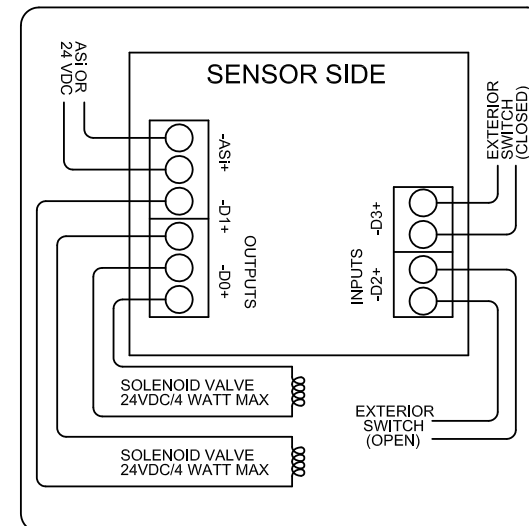
PRODUCT LINE

Switchbox DXR

SPECIFICATIONS

Enclosure	Composite resin
Bus/Sensor	AS-Interface w(2) SPDT GO Switches
Area Classification	Non-incendive
Visual Display	90° Black OPEN, Yellow CLOSED
Shaft	1/4" DD 304 stainless steel
Conduit Entries	(2) 3/4" NPT
O-Rings	Silicone
Pilot	(1) 24Vdc pilot, fail open/closed
Spool Valve	Aluminum hard coat anodized
Valve Cv	0.86 Cv (1/4" NPT Ports)
Manual Override	No manual override
Regional Certification	No regional certification
N Switch	No N Switch

WIRING DIAGRAM



NAMEPLATE



CI I Div 2, Grps A-D; CI II Div 2, Grps F-G; Type 4X
 Ex nA nC IIC T4 Gc; T55-C IP65
 -40 C ≤ Ta ≤ 50 C
 BUS: Max Current 250mA @ Max ASI Voltage 31.6V
 PILOT: 24 VDC

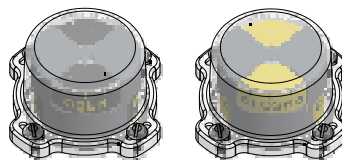
TopWork
 3300 Fern Valley Road
 Louisville, KY 40213 USA
 www.topwork.com

Model #:

Serial #:

OPEN

CLOSED



www.electrosupply.com
 sales@electrosupply.com
 1-800-663-6576