

**MODEL NUMBER**

**DXP-Z2CGNEB1A2**

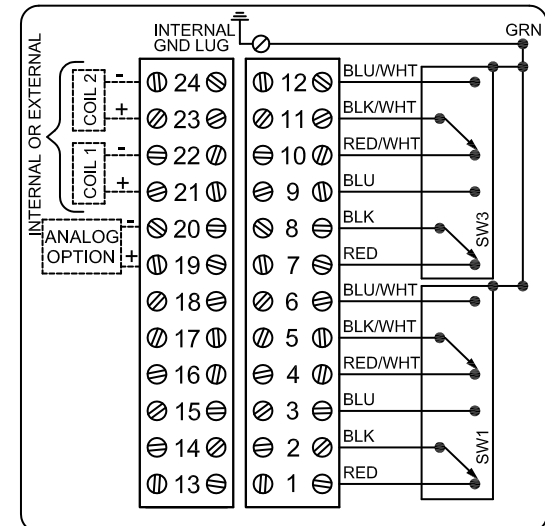
**PRODUCT LINE**

**Switchbox DXP and DXS**

**SPECIFICATIONS**

Enclosure	Tropicalized aluminum
Bus/Sensor	(2) GO™ Switches DPDT hermetic seal
Area Classification	Flame proof
Visual Display	Standard 90° Green OPEN, Red CLOSED
Shaft	NAMUR 304 stainless steel
Conduit Entries	(2) 3/4" NPT
O-Rings	Buna-N
Pilot	(1) 24Vdc pilot, fail open/closed
Spool Valve	Aluminum hard coat anodized
Valve Cv	0.86 Cv (1/4" NPT Ports)
Manual Override	No manual override
Regional Certification	No regional certification
N Switch	No N Switch

**WIRING DIAGRAM**



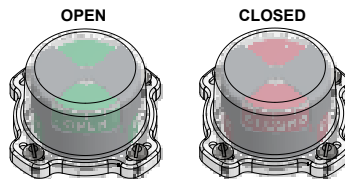
**NAMEPLATE**



Ex d IIC T6/T5/T4 Gb; IP65  
 -50°C ≤ Ta ≤ 60°C/75°C/110°C  
 SIRA 07ATEX1273X IECEx SIR 07.0093X  
 SWITCH: DPDT 4A/120VAC; 3A/24VDC Hermetically Sealed  
 PILOT: 24 VDC

Telemetering Equipment for use in Hazardous Locations  
**WARNING:** Disconnect the power before servicing. Keep tightly closed during operation. Must be known to be non-hazardous area before servicing. Clean only with damp cloth.

TopWorx  
 3300 Fern Valley Road  
 Louisville, KY 40213 USA  
 www.topworx.com



Model #:

Serial #:



www.electrosupply.com  
 sales@electrosupply.com  
 1-800-663-6576