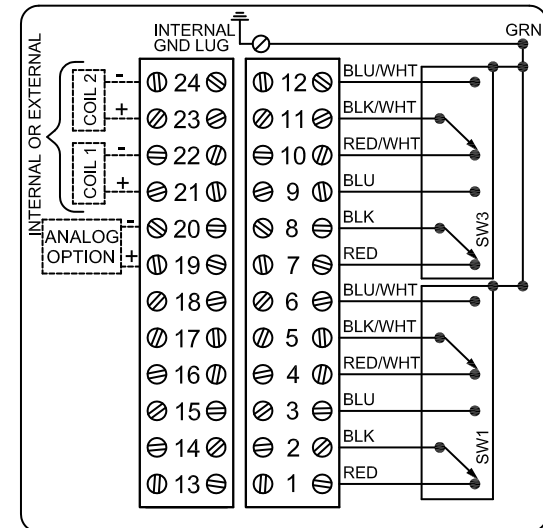


DXP-Z21YSMB

Switchbox DXP and DXS

| | |
|------------------------|-------------------------------------|
| Enclosure | Tropicalized aluminum |
| Bus/Sensor | (2) GO™ Switches DPDT hermetic seal |
| Area Classification | Explosion proof / flame proof |
| Visual Display | 90° Yellow OPEN, Black CLOSED |
| Shaft | 1/4" DD 304 stainless steel |
| Conduit Entries | (2) M20 |
| O-Rings | Buna-N |
| Pilot | No pilot device(s) |
| Spool Valve | No spool valve |
| Valve Cv | No valve Cv |
| Manual Override | No manual override |
| Regional Certification | No regional certification |
| N Switch | No N Switch |

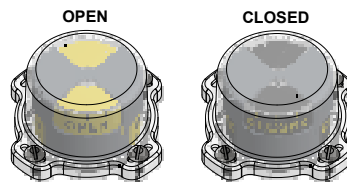


CE 0518 ENEC II 2 G UL CERTIFIED LISTED E125376 USA
 CI I Div 1, Grps C-D; CI I Div 2, Grps A-D; Type 4X
 Ex d IIB + H₂ T6 Gb; IP66/67
 -50 C ≤ Ta ≤ 60 C
 SIR A 07ATEX1273X IECEX SIR 07.0093X
 SWITCH: DPDT 4A/120VAC; 3A/24VDC Hermetically Sealed

Telemetering Equipment for use in Hazardous Locations
WARNING: Disconnect the power before servicing. Keep tightly closed during operation. Must be known to be non-hazardous area before servicing. Clean only with damp cloth.
AVERTISSEMENT: Débranchez l'alimentation avant l'entretien. Conserver hermétiquement fermé pendant le fonctionnement. Doivent être connus pour être des zones non dangereuses avant l'entretien.

TopWorx
 3300 Fern Valley Road
 Louisville, KY 40213 USA
 www.topworx.com

Serial #:



Model #:

Electrol
 www.electrosupply.com
 sales@electrosupply.com
 1-800-663-6576