

**MODEL NUMBER**

DXP-Z21YN3B1621

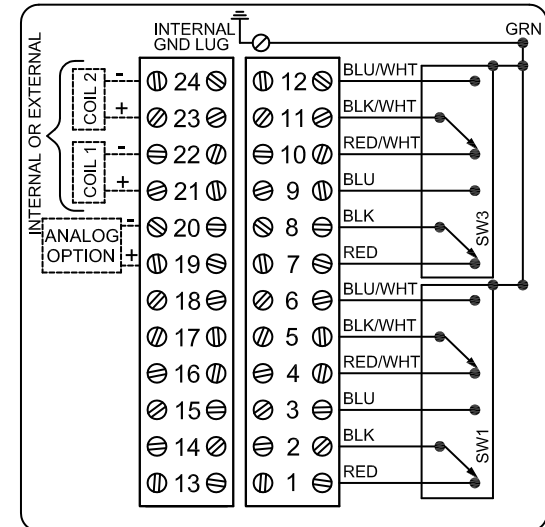
**PRODUCT LINE**

Switchbox DXP and DXS

**SPECIFICATIONS**

|                        |                                      |
|------------------------|--------------------------------------|
| Enclosure              | Tropicalized aluminum                |
| Bus/Sensor             | (2) GO™ Switches DPDT hermetic seal  |
| Area Classification    | Explosion proof / flame proof        |
| Visual Display         | 90° Yellow OPEN, Black CLOSED        |
| Shaft                  | NAMUR 304 stainless steel            |
| Conduit Entries        | (4) M20                              |
| O-Rings                | Buna-N                               |
| Pilot                  | (1) 24Vdc pilot, fail open/closed    |
| Spool Valve            | 316 stainless steel                  |
| Valve Cv               | 0.86 Cv (1/4" NPT Ports)             |
| Manual Override        | Single pushbutton momentary/latching |
| Regional Certification | No regional certification            |
| N Switch               | No N Switch                          |

**WIRING DIAGRAM**



**NAMEPLATE**



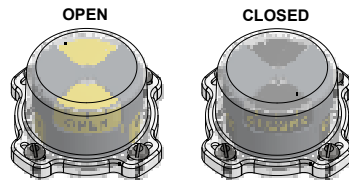
CI I Div 1, Grps C-D; CI I Div 2, Grps A-D; Type 4X  
 Ex d IIB + H; T6 Gb; IP65  
 -50 C ≤ Ta ≤ 60 C  
 SIRA 07ATEX1273X IECEx SIR 07.0093X  
 SWITCH: DPDT 4A/120VAC; 3A/24VDC Hermetically Sealed  
 PILOT: 24 VDC

Telemetering Equipment for use In Hazardous Locations  
**WARNING:** Disconnect the power before servicing. Keep tightly closed during operation. Must be known to be non-hazardous area before servicing. Clean only with damp cloth.  
**AVERTISSEMENT:** Débranchez l'alimentation avant l'entretien. Conservez hermétiquement fermé pendant le fonctionnement. Doivent être connus pour être des zones non dangereuses avant l'entretien.

TopWorx  
 3300 Fern Valley Road  
 Louisville, KY 40213 USA  
 www.topworx.com

Model #:

Serial #:



www.electrosupply.com  
 sales@electrosupply.com  
 1-800-663-6576