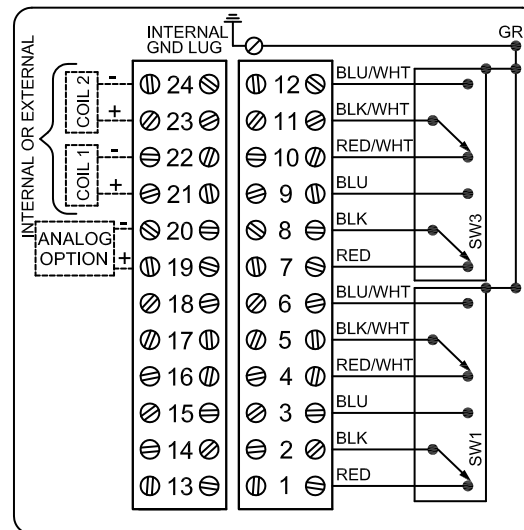


DXP-Z21BSMB262

Switchbox DXP and DXS

| | |
|------------------------|--------------------------------------|
| Enclosure | Tropicalized aluminum |
| Bus/Sensor | (2) GO™ Switches DPDT hermetic seal |
| Area Classification | Explosion proof / flame proof |
| Visual Display | 90° Black OPEN, Yellow CLOSED |
| Shaft | 1/4" DD 304 stainless steel |
| Conduit Entries | (2) M20 |
| O-Rings | Buna-N |
| Pilot | (2) 24Vdc pilots, fail last position |
| Spool Valve | 316 stainless steel |
| Valve Cv | 0.86 Cv (1/4" NPT Ports) |
| Manual Override | No manual override |
| Regional Certification | No regional certification |
| N Switch | No N Switch |



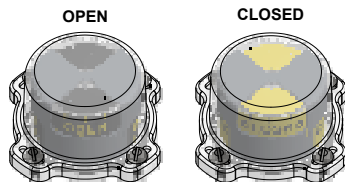
CI I Div 1, Grps C-D; CI I Div 2, Grps A-D; Type 4X
 Ex d IIB + H₂; T6 Gb; IP65
 -50 C ≤ Ta ≤ 60 C
 SIRA 07ATEX1273X IECEX SIR 07.0093X
 SWITCH: DPDT 4A/120VAC; 3A/24VDC Hermetically Sealed
 PILOT: 24 VDC

Model #:

Telemetering Equipment for use in Hazardous Locations
WARNING: Disconnect the power before servicing. Keep tightly closed during operation. Must be known to be non-hazardous area before servicing. Clean only with damp cloth.
AVERTISSEMENT: Débranchez l'alimentation avant l'entretien. Conserver hermétiquement fermé pendant le fonctionnement. Doivent être connus pour être des zones non dangereuses avant l'entretien.

TopWorx
 3300 Fern Valley Road
 Louisville, KY 40213 USA
 www.topworx.com

Serial #:



Electrol
 www.electrosupply.com
 sales@electrosupply.com
 1-800-663-6576