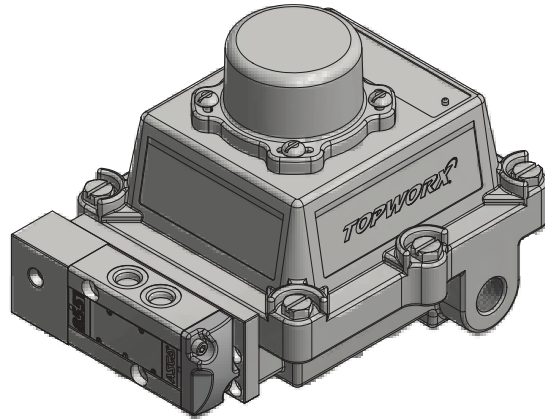
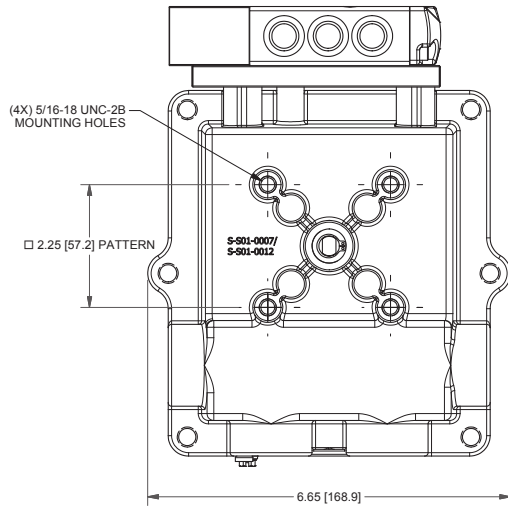
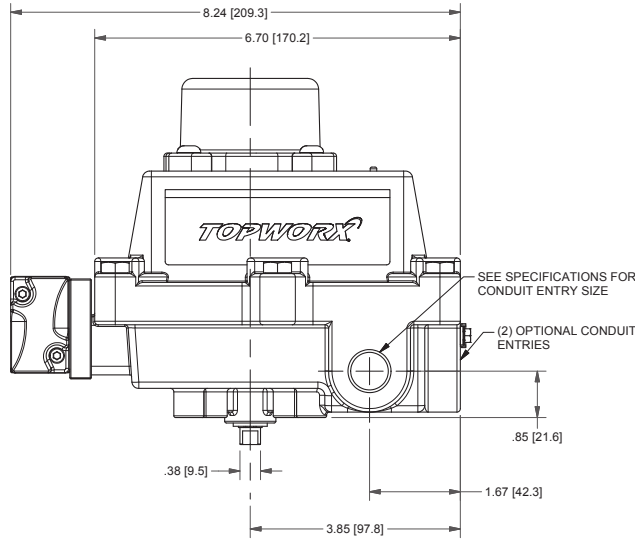
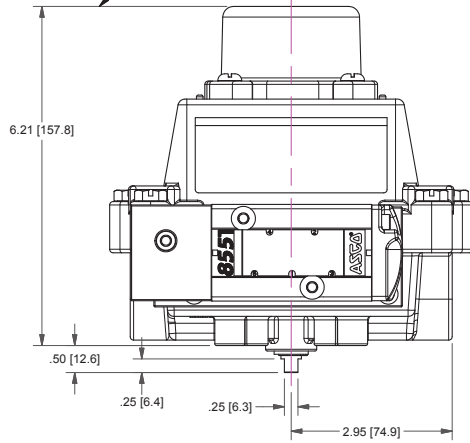


ADD 2.50 [63.5] IN HEIGHT TO ALLOW FOR REMOVAL OF LID



MODEL NUMBER

DXP-TX1GSEB1A21

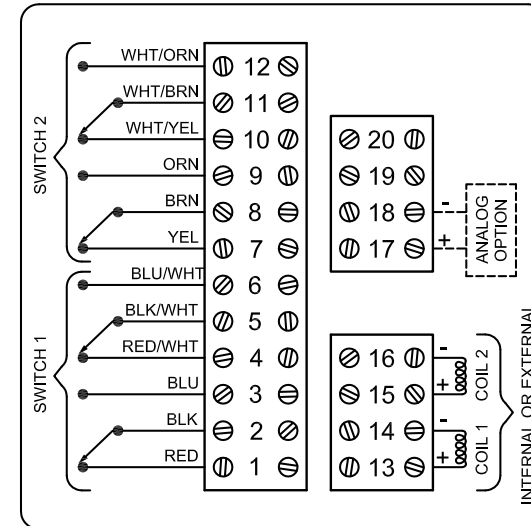
PRODUCT LINE

Switchbox DXP and DXS

SPECIFICATIONS

Enclosure	Tropicalized aluminum
Bus/Sensor	4-20mA transmitter w/ mechanical DPDT
Area Classification	Explosion proof / flame proof
Visual Display	Standard 90° Green OPEN, Red CLOSED
Shaft	1/4" DD 304 stainless steel
Conduit Entries	(2) 3/4" NPT
O-Rings	Buna-N
Pilot	(1) 24Vdc pilot, fail open/closed
Spool Valve	Aluminum hard coat anodized
Valve Cv	0.86 Cv (1/4" NPT Ports)
Manual Override	Single pushbutton momentary/latching
Regional Certification	No regional certification
N Switch	No N Switch

WIRING DIAGRAM



NAMEPLATE



CI I Div 1, Grps C-D; Type 4X  
 Ex d IIB + H<sub>2</sub> T6 Gb; IP65  
 -50 C ≤ T<sub>a</sub> ≤ 60 C  
 SIRA 07ATEX1273X IECEX SIR 07.0093X  
 SWITCH: DPDT 15A/125VAC  
 4-20mA LOOP: 8.5 to 34VDC, 20mA  
 PILOT: 24 VDC

Model #:

Telemetering Equipment for use in Hazardous Locations  
**WARNING:** Disconnect the power before servicing. Keep tightly closed during operation. Must be known to be non-hazardous area before servicing. Clean only with damp cloth.  
**AVERTISSEMENT:** Débranchez l'alimentation avant l'entretien. Conservez hermétiquement fermé pendant le fonctionnement. Doivent être connus pour être des zones non dangereuses avant l'entretien.

TopWorx  
 3300 Fern Valley Road  
 Louisville, KY 40213 USA  
 www.topworx.com

Serial #:



**Electrol**

www.electrosupply.com  
 sales@electrosupply.com  
 1-800-663-6576