



**MODEL NUMBER**

**DXP-MX1BN6B**

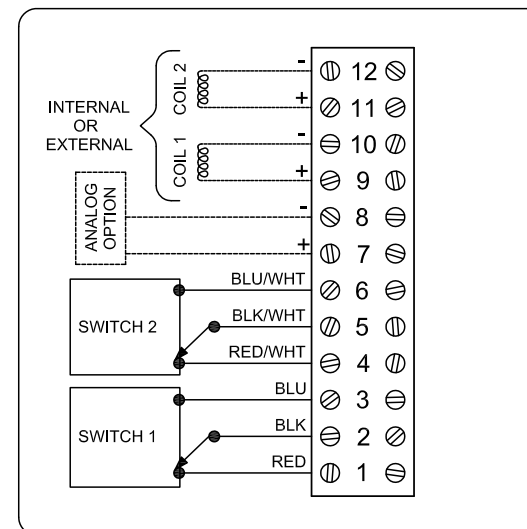
**PRODUCT LINE**

**Switchbox DXP and DXS**

**SPECIFICATIONS**

|                        |                                       |
|------------------------|---------------------------------------|
| Enclosure              | Tropicalized aluminum                 |
| Bus/Sensor             | 4-20mA transmitter w/ mechanical SPDT |
| Area Classification    | Explosion proof / flame proof         |
| Visual Display         | 90° Black OPEN, Yellow CLOSED         |
| Shaft                  | NAMUR 304 stainless steel             |
| Conduit Entries        | (4) 3/4" NPT                          |
| O-Rings                | Buna-N                                |
| Pilot                  | No pilot device(s)                    |
| Spool Valve            | No spool valve                        |
| Valve Cv               | No valve Cv                           |
| Manual Override        | No manual override                    |
| Regional Certification | No regional certification             |
| N Switch               | No N Switch                           |

**WIRING DIAGRAM**



**NAMEPLATE**



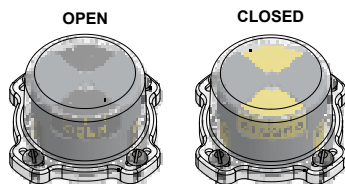
CE 0518 ENEC 112 G  
 UL CERTIFIED  
 E125326 USA  
 CI I Div 1, Grps C-D, Type 4X  
 Ex d IIB + H<sub>2</sub> T6 Gb, IP66/67  
 -50 C ≤ T<sub>a</sub> ≤ 60 C  
 SIRA 07ATEX1273X IECEX SIR 07.0093X  
 SWITCH: SPDT 15A/125VAC, 250VAC  
 4-20mA LOOP: 8.5 to 34VDC, 20mA

Telemetering Equipment for use in Hazardous Locations  
**WARNING:** Disconnect the power before servicing. Keep tightly closed during operation. Must be known to be non-hazardous area before servicing. Clean only with damp cloth.  
**AVERTISSEMENT:** Débranchez l'alimentation avant l'entretien. Conserver hermétiquement fermé pendant le fonctionnement. Doivent être connus pour être des zones non dangereuses avant l'entretien.

TopWorx  
 3300 Fern Valley Road  
 Louisville, KY 40213 USA  
 www.topworx.com

Model #:

Serial #:



**Electrol**

www.electrosupply.com  
 sales@electrosupply.com  
 1-800-663-6576