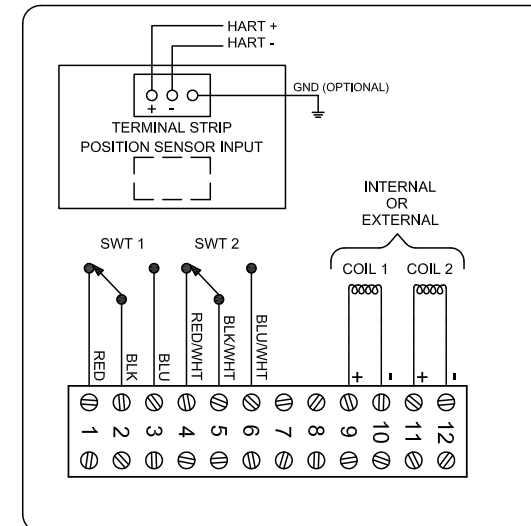


## DXP-MH0GSMB

### Switchbox DXP and DXS

|                        |                                     |
|------------------------|-------------------------------------|
| Enclosure              | Tropicalized aluminum               |
| Bus/Sensor             | HART transmitter w/ mechanical SPDT |
| Area Classification    | Intrinsically safe                  |
| Visual Display         | Standard 90° Green OPEN, Red CLOSED |
| Shaft                  | 1/4" DD 304 stainless steel         |
| Conduit Entries        | (2) M20                             |
| O-Rings                | Buna-N                              |
| Pilot                  | No pilot device(s)                  |
| Spool Valve            | No spool valve                      |
| Valve Cv               | No valve Cv                         |
| Manual Override        | No manual override                  |
| Regional Certification | No regional certification           |
| N Switch               | No N Switch                         |



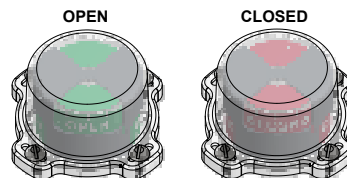
Ex ia IIC T6 Gb; IP66/67  
 -50°C ≤ Ta ≤ 52°C  
 SIR4 14ATEX2241X IECEx SIR 14.0078X  
 SWITCH: Ui=30V, Ii=200mA, Pi=0.34W (Per Switch Circuit)  
 HART 4-20mA: Ui=28V, Ii=100mA, Pi=0.7W, Ci=14nF, Li=2.06mH

Telemetering Equipment for use in Hazardous Locations  
**WARNING:** Substitution of components may impair intrinsic safety. The installer shall confirm which certified sub-assemblies are fitted and ensure compliance with the entry parameters in the appropriate certificate. Potential electrostatic charging hazard - Clean only with damp cloth.

TopWorx  
 3300 Fern Valley Road  
 Louisville, KY 40213 USA  
 www.topworx.com

Serial #:

Model #:



**Electrol**  
 www.electrosupply.com  
 sales@electrosupply.com  
 1-800-663-6576