

## MODEL NUMBER

DXP-MH0GSEB

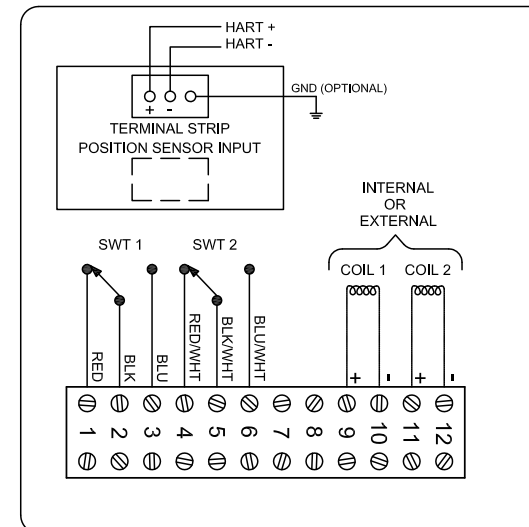
## PRODUCT LINE

Switchbox DXP and DXS

## SPECIFICATIONS

Enclosure	Tropicalized aluminum
Bus/Sensor	HART transmitter w/ mechanical SPDT
Area Classification	Intrinsically safe
Visual Display	Standard 90° Green OPEN, Red CLOSED
Shaft	1/4" DD 304 stainless steel
Conduit Entries	(2) 3/4" NPT
O-Rings	Buna-N
Pilot	No pilot device(s)
Spool Valve	No spool valve
Valve Cv	No valve Cv
Manual Override	No manual override
Regional Certification	No regional certification
N Switch	No N Switch

## WIRING DIAGRAM



## NAMEPLATE

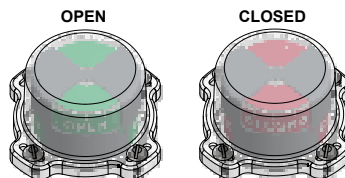


Ex ia IIC T6 Gb; IP66/67  
-50°C ≤ Ta ≤ 52°C  
SIRA 14ATEX2241X IECEx SIR 14.0078X  
SWITCH: Ui=30V, Ii=200mA, Pi=0.34W (Per Switch Circuit)  
HART 4-20mA: Ui=28V, Ii=100mA, Pi=0.7W, Ci=14nF, Li=2.06mH

Telemetering Equipment for use in Hazardous Locations  
**WARNING:** Substitution of components may impair intrinsic safety. The installer shall confirm which certified sub-assemblies are fitted and ensure compliance with the entry parameters in the appropriate certificate. Potential electrostatic charging hazard - Clean only with damp cloth.

TopWorx  
3300 Fern Valley Road  
Louisville, KY 40213 USA  
www.topworx.com

Serial #:



Model #:

**Electrol**

www.electrosupply.com  
sales@electrosupply.com  
1-800-663-6576