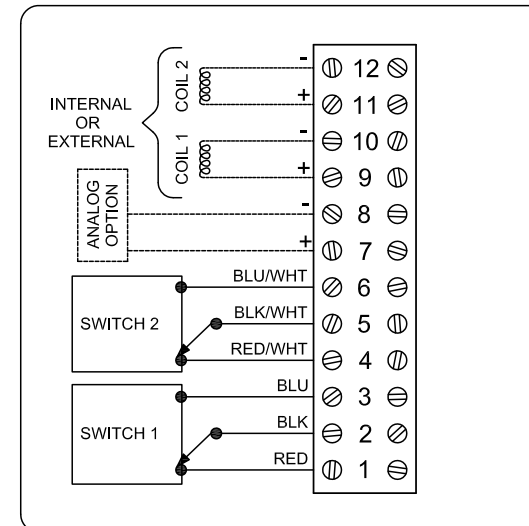


## DXP-M2CGSMS

### Switchbox DXP and DXS

Enclosure	Tropicalized aluminum
Bus/Sensor	(2) Mechanical SPDT
Area Classification	Flame proof
Visual Display	Standard 90° Green OPEN, Red CLOSED
Shaft	1/4" DD 304 stainless steel
Conduit Entries	(2) M20
O-Rings	Silicone
Pilot	No pilot device(s)
Spool Valve	No spool valve
Valve Cv	No valve Cv
Manual Override	No manual override
Regional Certification	No regional certification
N Switch	No N Switch



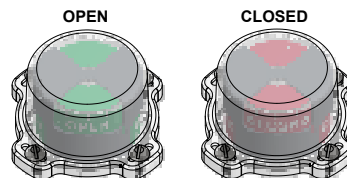
Ex d IIC T6/T5/T4 Gb; Ex ib IIC T85°C/T100°C/T135°C Db; IP66/67  
 -50°C ≤ T<sub>a</sub> ≤ 60°C/75°C/110°C  
 SIR 07ATEX1273X IECEx SIR 07.0093X  
 SWITCH: SPDT 15A/125VAC, 250VAC

Telemetering Equipment for use In Hazardous Locations  
**WARNING:** Disconnect the power before servicing. Keep tightly closed during operation. Must be known to be non-hazardous area before servicing. Clean only with damp cloth.

TopWorx  
 3300 Fern Valley Road  
 Louisville, KY 40213 USA  
 www.topworx.com

Model #:

Serial #:



**Electrol**  
 www.electrosupply.com  
 sales@electrosupply.com  
 1-800-663-6576