

MODEL NUMBER

DXP-M2CGNES0000N

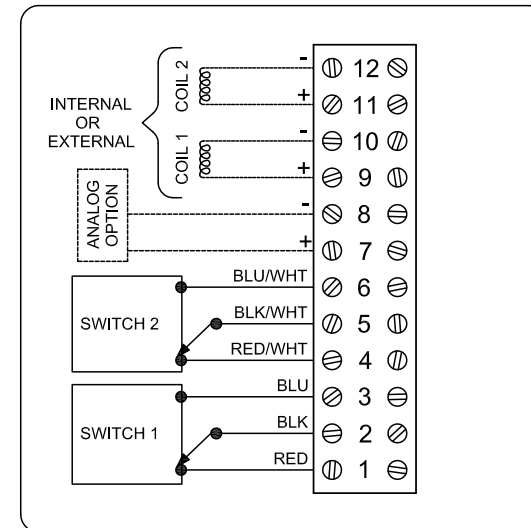
PRODUCT LINE

Switchbox DXP and DXS

SPECIFICATIONS

Enclosure	Tropicalized aluminum
Bus/Sensor	(2) Mechanical SPDT
Area Classification	Flame proof
Visual Display	Standard 90° Green OPEN, Red CLOSED
Shaft	NAMUR 304 stainless steel
Conduit Entries	(2) 3/4" NPT
O-Rings	Silicone
Pilot	No pilot device(s)
Spool Valve	No spool valve
Valve Cv	No valve Cv
Manual Override	No manual override
Regional Certification	NEPSI
N Switch	No N Switch

WIRING DIAGRAM



NAMEPLATE



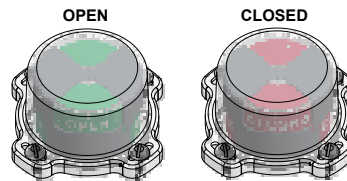
Ex d IIC T6/T5/T4 Gb; DIP A21 TA Db; IP66/67
 -60°C ≤ Ta ≤ 60°C/75°C/110°C
 GVJ13.1095X
 SWITCH: SPDT 15A/125VAC, 250VAC

Telemetering Equipment for use in Hazardous Locations
WARNING: Disconnect the power before servicing. Keep tightly closed during operation. Must be known to be non-hazardous area before servicing. Clean only with damp cloth.

TopWorx
 3300 Fern Valley Road
 Louisville, KY 40213 USA
 www.topworx.com

Model #:

Serial #:



www.electrosupply.com
 sales@electrosupply.com
 1-800-663-6576