

MODEL NUMBER

DXP-LX1GNMS0000R

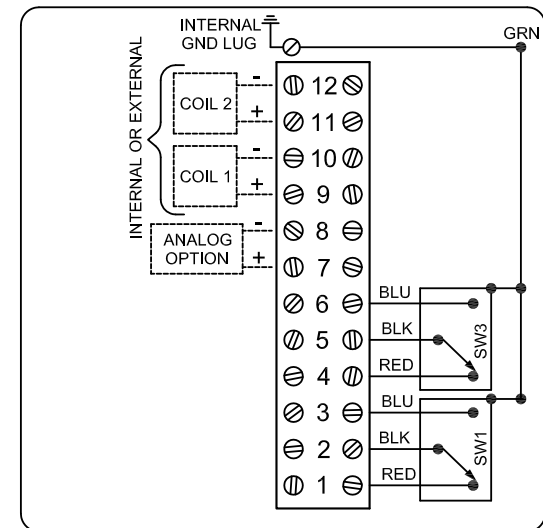
PRODUCT LINE

Switchbox DXP and DXS

SPECIFICATIONS

Enclosure	Tropicalized aluminum
Bus/Sensor	4-20mA transmitter w/ GO™ Switch SPDT
Area Classification	Explosion proof / flame proof
Visual Display	Standard 90° Green OPEN, Red CLOSED
Shaft	NAMUR 304 stainless steel
Conduit Entries	(2) M20
O-Rings	Silicone
Pilot	No pilot device(s)
Spool Valve	No spool valve
Valve Cv	No valve Cv
Manual Override	No manual override
Regional Certification	EAC
N Switch	No N Switch

WIRING DIAGRAM



NAMEPLATE



1 Ex d IIB + H, T6 Gb; Ex tb IIIC T85° C Db; IP66/67
 -60°C ≤ Ta ≤ 60°C
 TC RU C-US, F E08.B.02500
 SWITCH: SPDT 4A/120VAC; 3A/24VDC Hermetically Sealed
 4-20mA LOOP: 8.5 to 34VDC, 20mA

Telemetering Equipment for use In Hazardous Locations
WARNING: Disconnect the power before servicing. Keep tightly closed during operation. Must be known to be non-hazardous area before servicing. Clean only with damp cloth.

TopWorx
 3300 Fern Valley Road
 Louisville, KY 40213 USA
 www.topworx.com

Model #:

Serial #:



Electrol

www.electrosupply.com
 sales@electrosupply.com
 1-800-663-6576