

## MODEL NUMBER

DXP-LH1BSEB

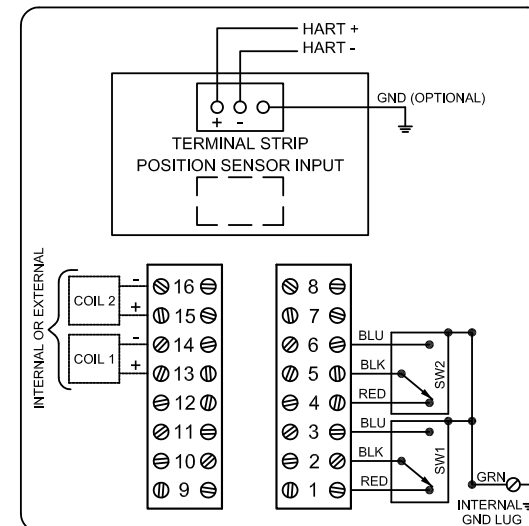
## PRODUCT LINE

Switchbox DXP and DXS

## SPECIFICATIONS

Enclosure	Tropicalized aluminum
Bus/Sensor	HART transmitter w/ GO™ Switch SPDT
Area Classification	Explosion proof / flame proof
Visual Display	90° Black OPEN, Yellow CLOSED
Shaft	1/4" DD 304 stainless steel
Conduit Entries	(2) 3/4" NPT
O-Rings	Buna-N
Pilot	No pilot device(s)
Spool Valve	No spool valve
Valve Cv	No valve Cv
Manual Override	No manual override
Regional Certification	No regional certification
N Switch	No N Switch

## WIRING DIAGRAM



## NAMEPLATE



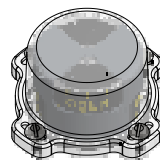
CI I Div 1, Grps C-D; CI I Div 2, Grps A-D; Type 4X  
Ex d IIB + H<sub>2</sub>; T6 Gb; IP66/67  
-50 C ≤ T<sub>a</sub> ≤ 60 C  
SIRA 07ATEX1273X IECEX SIR 07.0093X  
SWITCH: SPDT 4A/120VAC; 3A/24VDC Hermetically Sealed  
HART 4-20mA; 13.5 to 39VDC, 24mA

Telemetering Equipment for use in Hazardous Locations  
**WARNING:** Disconnect the power before servicing. Keep tightly closed during operation. Must be known to be non-hazardous area before servicing. Clean only with damp cloth.  
**AVERTISSEMENT:** Débranchez l'alimentation avant l'entretien. Conservez hermétiquement fermé pendant le fonctionnement. Doivent être connus pour être des zones non dangereuses avant l'entretien.

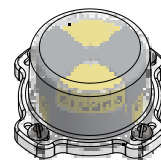
TopWorx  
3300 Fern Valley Road  
Louisville, KY 40213 USA  
www.topworx.com

Serial #:

OPEN



CLOSED



Model #:

**Electrol**

www.electrolsupply.com  
sales@electrolsupply.com  
1-800-663-6576