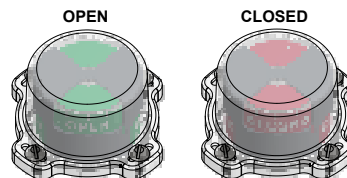
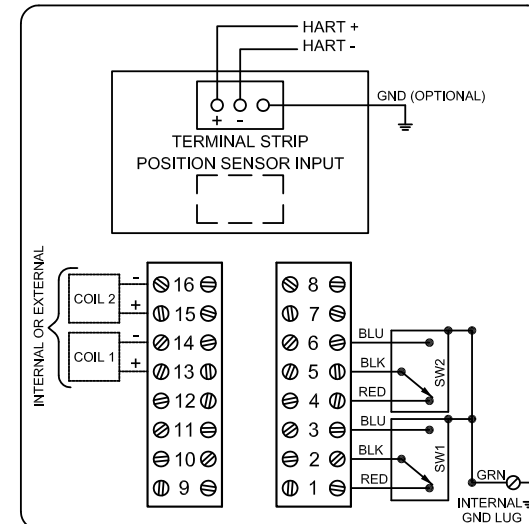


DXP-LH0GSMB

Switchbox DXP and DXS

Enclosure	Tropicalized aluminum
Bus/Sensor	HART transmitter w/ GO™ Switch SPDT
Area Classification	Intrinsically safe
Visual Display	Standard 90° Green OPEN, Red CLOSED
Shaft	1/4" DD 304 stainless steel
Conduit Entries	(2) M20
O-Rings	Buna-N
Pilot	No pilot device(s)
Spool Valve	No spool valve
Valve Cv	No valve Cv
Manual Override	No manual override
Regional Certification	No regional certification
N Switch	No N Switch



Ex ia IIC T6 Gb; IP66/67
 -50°C ≤ Ta ≤ 52°C
 SIRA 14ATEX2241X IECEx SIR 14.0078X
 SWITCH: Ui=30V, Ii=200mA, Pi=0.34W (Per Switch Circuit)
 HART 4-20mA: Ui=28V, Ii=100mA, Pi=0.7W, Ci=14nF, Li=2.06mH

TopWorx
 3300 Fern Valley Road
 Louisville, KY 40213 USA
 www.topworx.com

Model #:

Serial #:

Electrol
www.electrosupply.com
sales@electrosupply.com
 1-800-663-6576