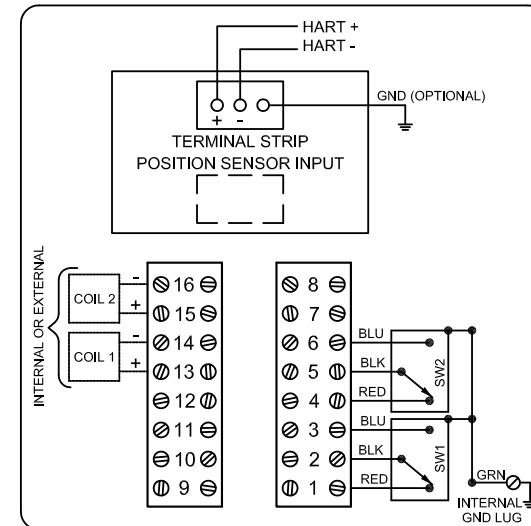


# DXP-LH0GNMS

## Switchbox DXP and DXS

|                        |                                     |
|------------------------|-------------------------------------|
| Enclosure              | Tropicalized aluminum               |
| Bus/Sensor             | HART transmitter w/ GO™ Switch SPDT |
| Area Classification    | Intrinsically safe                  |
| Visual Display         | Standard 90° Green OPEN, Red CLOSED |
| Shaft                  | NAMUR 304 stainless steel           |
| Conduit Entries        | (2) M20                             |
| O-Rings                | Silicone                            |
| Pilot                  | No pilot device(s)                  |
| Spool Valve            | No spool valve                      |
| Valve Cv               | No valve Cv                         |
| Manual Override        | No manual override                  |
| Regional Certification | No regional certification           |
| N Switch               | No N Switch                         |



Ex ia IIC T6 Gb; Ex tb IIC T62° C Db; IP66/67  
 -50°C ≤ Ta ≤ 52°C  
 SIR4 14ATEX2241X IECEx SIR 14.0078X  
 SWITCH: Ui=30V, Ii=200mA, Pi=0.34W (Per Switch Circuit)  
 HART 4-20mA: Ui=28V, Ii=100mA, Pi=0.7W, Ci=14nF, Li=2.06mH

Topworx  
 3300 Fern Valley Road  
 Louisville, KY 40213 USA  
 www.topworx.com

Model #:

Serial #: