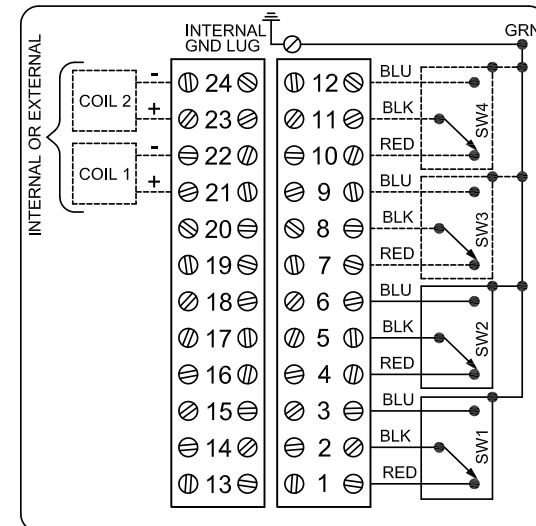




DXP-L4CGNMB

Switchbox DXP and DXS

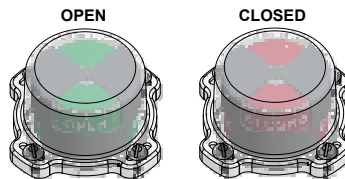
| | |
|------------------------|-------------------------------------|
| Enclosure | Tropicalized aluminum |
| Bus/Sensor | (4) GO™ Switches SPDT hermetic seal |
| Area Classification | Flame proof |
| Visual Display | Standard 90° Green OPEN, Red CLOSED |
| Shaft | NAMUR 304 stainless steel |
| Conduit Entries | (2) M20 |
| O-Rings | Buna-N |
| Pilot | No pilot device(s) |
| Spool Valve | No spool valve |
| Valve Cv | No valve Cv |
| Manual Override | No manual override |
| Regional Certification | No regional certification |
| N Switch | No N Switch |



Ex d IIC T6/T5/T4 Gb; IP66/67
 -50°C ≤ Ta ≤ 60°C/75°C/110°C
 SIR4 07ATEX1273X IECEx SIR 07.0093X
 SWITCH: SPDT 4A/120VAC; 3A/24VDC Hermetically Sealed

Telemetering Equipment for use in Hazardous Locations
WARNING: Disconnect the power before servicing. Keep tightly closed during operation. Must be known to be non-hazardous area before servicing. Clean only with damp cloth.

TopWorx
 3300 Fern Valley Road
 Louisville, KY 40213 USA
 www.topworx.com



Model #:

Serial #: