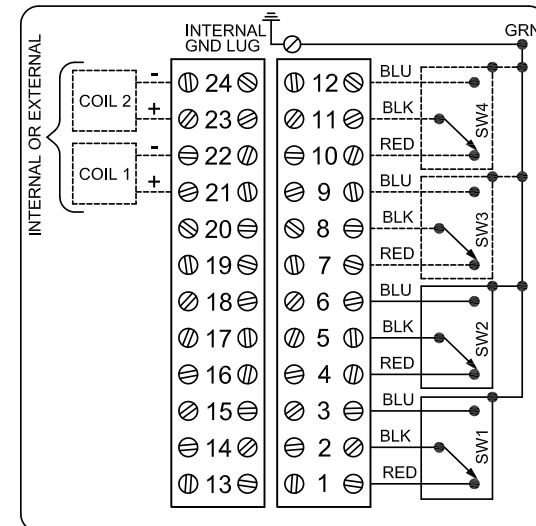




## DXP-L32GNMB

### Switchbox DXP and DXS

|                        |                                     |
|------------------------|-------------------------------------|
| Enclosure              | Tropicalized aluminum               |
| Bus/Sensor             | (3) GO™ Switches SPDT               |
| Area Classification    | Non-incendive                       |
| Visual Display         | Standard 90° Green OPEN, Red CLOSED |
| Shaft                  | NAMUR 304 stainless steel           |
| Conduit Entries        | (2) M20                             |
| O-Rings                | Buna-N                              |
| Pilot                  | No pilot device(s)                  |
| Spool Valve            | No spool valve                      |
| Valve Cv               | No valve Cv                         |
| Manual Override        | No manual override                  |
| Regional Certification | No regional certification           |
| N Switch               | No N Switch                         |



CI I Div 2, Grps A-D; Type 4X  
 Ex nA nC IIC T6 Gc; IP66/67  
 -50 C ≤ Ta ≤ 60 C  
 SWITCH: SPDT 4A/120VAC; 3A/24VDC Hermetically Sealed

**Telemetering Equipment for use In Hazardous Locations**  
**WARNING:** Substitution of components may impair suitability for use in Class I, Division 2 or Zone 2 environments. Must be known to be non-hazardous area before servicing. Clean only with damp cloth.  
**AVERTISSEMENT:** La substitution de composants peut altérer l'aptitude pour une utilisation dans Classe I, Division 2 environnements. Doivent être connus pour être des zones non dangereuses avant l'entretien.

TopWorx  
 3300 Fern Valley Road  
 Louisville, KY 40213 USA  
 www.topworx.com

Model #:

Serial #:



**Electrol**  
[www.electrosupply.com](http://www.electrosupply.com)  
[sales@electrosupply.com](mailto:sales@electrosupply.com)  
 1-800-663-6576