

**MODEL NUMBER**

**DXP-L2CGSMS0000R**

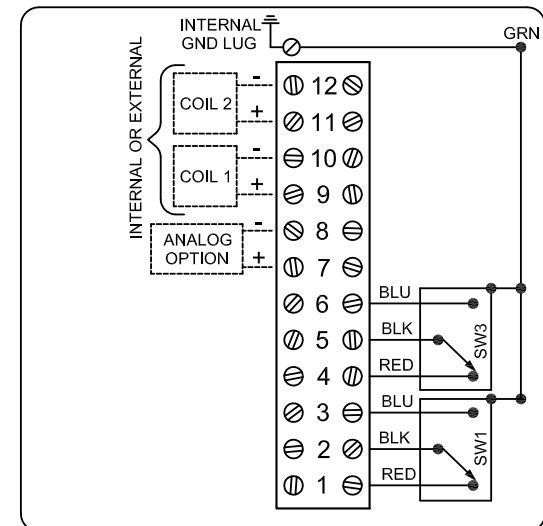
**PRODUCT LINE**

**Switchbox DXP and DXS**

**SPECIFICATIONS**

Enclosure	Tropicalized aluminum
Bus/Sensor	(2) GO™ Switches SPDT hermetic seal
Area Classification	Flame proof
Visual Display	Standard 90° Green OPEN, Red CLOSED
Shaft	1/4" DD 304 stainless steel
Conduit Entries	(2) M20
O-Rings	Silicone
Pilot	No pilot device(s)
Spool Valve	No spool valve
Valve Cv	No valve Cv
Manual Override	No manual override
Regional Certification	EAC
N Switch	No N Switch

**WIRING DIAGRAM**



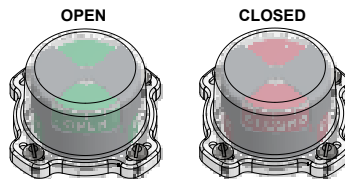
**NAMEPLATE**



1 Ex d IIC T6/T5/T4 Gb; Ex tb IIC T85°C/T100°C/T135°C Db; IP66/67  
 -60°C ≤ Ta ≤ 60°C/75°C/110°C  
 TC RU C-US F808-B-02500  
 SWITCH: SPDT 4A/120VAC; 3A/24VDC Hermetically Sealed

Telemetering Equipment for use in Hazardous Locations  
**WARNING:** Disconnect the power before servicing. Keep tightly closed during operation. Must be known to be non-hazardous area before servicing. Clean only with damp cloth.

TopWorx  
 3300 Fern Valley Road  
 Louisville, KY 40213 USA  
 www.topworx.com



Model #:

Serial #:

**Electrol**

www.electrosupply.com  
 sales@electrosupply.com  
 1-800-663-6576