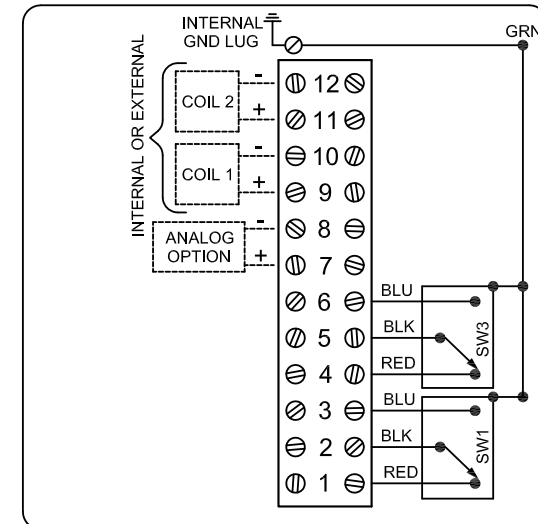




## DXP-L2CGMMS

### Switchbox DXP and DXS

|                        |                                     |
|------------------------|-------------------------------------|
| Enclosure              | Tropicalized aluminum               |
| Bus/Sensor             | (2) GO™ Switches SPDT hermetic seal |
| Area Classification    | Flame proof                         |
| Visual Display         | Standard 90° Green OPEN, Red CLOSED |
| Shaft                  | NAMUR 316 stainless steel           |
| Conduit Entries        | (2) M20                             |
| O-Rings                | Silicone                            |
| Pilot                  | No pilot device(s)                  |
| Spool Valve            | No spool valve                      |
| Valve Cv               | No valve Cv                         |
| Manual Override        | No manual override                  |
| Regional Certification | No regional certification           |
| N Switch               | No N Switch                         |



Ex d IIC T6/T5/T4 Gb; Ex tb IIC T85° C/T100° C/T135° C Db; IP66/67  
 -50°C ≤ Ta ≤ 60°C/75°C/110°C  
 SIR4 07ATEX1273X IECEx SIR 07.0093X  
 SWITCH: SPDT 4A/120VAC; 3A/24VDC Hermetically Sealed

Telemetering Equipment for use In Hazardous Locations  
**WARNING:** Disconnect the power before servicing. Keep tightly closed during operation. Must be known to be non-hazardous area before servicing. Clean only with damp cloth.

TopWorx  
 3300 Fern Valley Road  
 Louisville, KY 40213 USA  
 www.topworx.com

Model #:

Serial #:



**Electrol**

www.electrosupply.com  
 sales@electrosupply.com  
 1-800-663-6576