

MODEL NUMBER

DXP-L22TNES

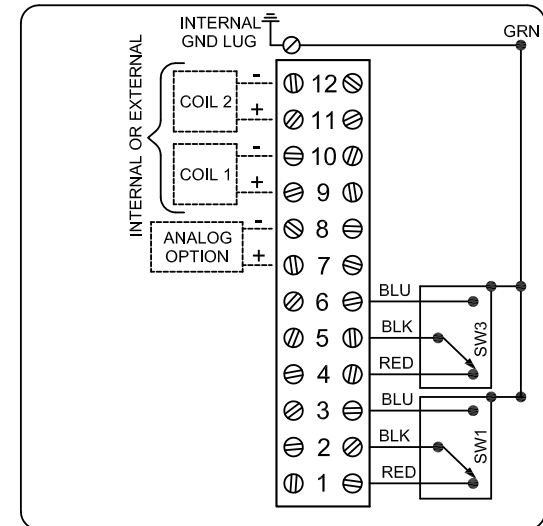
PRODUCT LINE

Switchbox DXP and DXS

SPECIFICATIONS

Enclosure	Tropicalized aluminum
Bus/Sensor	(2) GO™ Switches SPDT hermetic seal
Area Classification	Non-incendive
Visual Display	90° Green THROUGH, Red DIVERT
Shaft	NAMUR 304 stainless steel
Conduit Entries	(2) 3/4" NPT
O-Rings	Silicone
Pilot	No pilot device(s)
Spool Valve	No spool valve
Valve Cv	No valve Cv
Manual Override	No manual override
Regional Certification	No regional certification
N Switch	No N Switch

WIRING DIAGRAM



NAMEPLATE



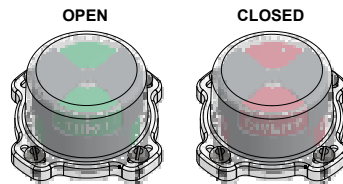
CI I Div 2, Grps A-D; CI II Div 2, Grps F-G, Type 4X
 Ex nA nC IIC T6 Gc; Ex tc IIIC T85°C Dc; IP66/67
 -50°C ≤ Ta ≤ 60°C
 SWITCH: SPDT 4A/120VAC; 3A/24VDC Hermetically Sealed

Telemetering Equipment for use In Hazardous Locations
WARNING: Substitution of components may impair suitability for use in Class I, Division 2 or Zone 2 environments. Must be known to be non-hazardous area before servicing. Clean only with damp cloth.
AVERTISSEMENT: La substitution de composants peut altérer l'aptitude pour une utilisation dans Classe I, Division 2 environnements. Doivent être connus pour être des zones non dangereuses avant l'entretien.

TopWorx
 3300 Fern Valley Road
 Louisville, KY 40213 USA
 www.topworx.com

Model #:

Serial #:



www.electrosupply.com
 sales@electrosupply.com
 1-800-663-6576