

**MODEL NUMBER**

**DXP-L21GN4B8A2**

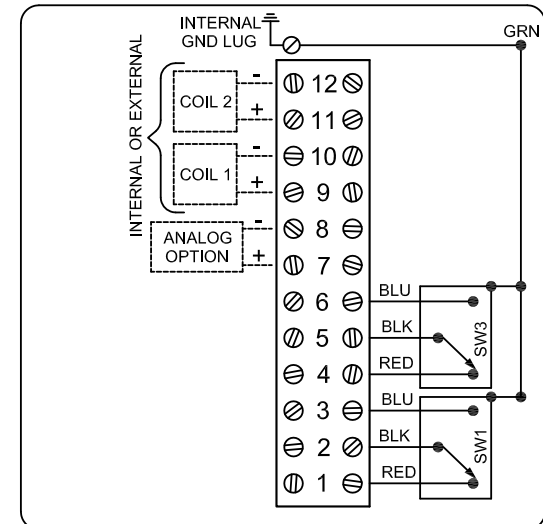
**PRODUCT LINE**

**Switchbox DXP and DXS**

**SPECIFICATIONS**

Enclosure	Tropicalized aluminum
Bus/Sensor	(2) GO™ Switches SPDT hermetic seal
Area Classification	Explosion proof / flame proof
Visual Display	Standard 90° Green OPEN, Red CLOSED
Shaft	NAMUR 304 stainless steel
Conduit Entries	(2) 3/4" NPT, (2) 1/2" NPT
O-Rings	Buna-N
Pilot	(2) 110Vac pilots, 1.1W, fail last position
Spool Valve	Aluminum hard coat anodized
Valve Cv	0.86 Cv (1/4" NPT Ports)
Manual Override	No manual override
Regional Certification	No regional certification
N Switch	No N Switch

**WIRING DIAGRAM**



**NAMEPLATE**



CI I Div 1, Grps C-D; CI I Div 2, Grps A-D; Type 4X  
Ex d IIB + H3 T6 Gb, IP65  
-50 C ≤ Ta ≤ 60 C  
SIRA 07ATEX1273X IECEX SIR 07.0093X  
SWITCH: SPDT 4A/120VAC; 3A/24VDC Hermetically Sealed  
PILOT: 110 VAC

Telemetering Equipment for use in Hazardous Locations  
**WARNING:** Disconnect the power before servicing. Keep tightly closed during operation. Must be known to be non-hazardous area before servicing. Clean only with damp cloth.  
**AVERTISSEMENT:** Débranchez l'alimentation avant l'entretien. Conservez hermétiquement fermé pendant le fonctionnement. Doivent être connus pour être des zones non dangereuses avant l'entretien.

TopWorx  
3300 Fern Valley Road  
Louisville, KY 40213 USA  
www.topworx.com

Model #:

Serial #:



**Electrol**

www.electrosupply.com  
sales@electrosupply.com  
1-800-663-6576