

MODEL NUMBER

DXP-L21BSES

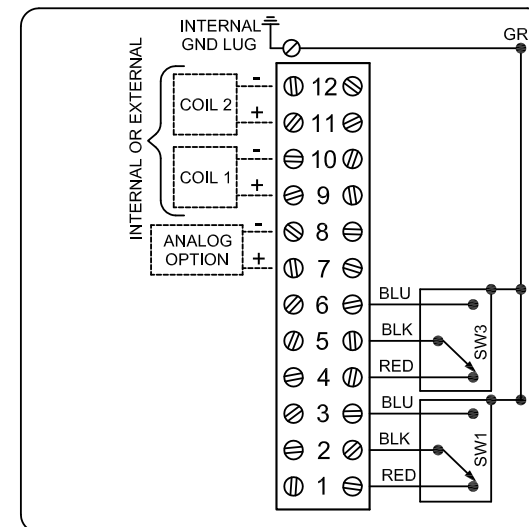
PRODUCT LINE

Switchbox DXP and DXS

SPECIFICATIONS

Enclosure	Tropicalized aluminum
Bus/Sensor	(2) GO™ Switches SPDT hermetic seal
Area Classification	Explosion proof / flame proof
Visual Display	90° Black OPEN, Yellow CLOSED
Shaft	1/4" DD 304 stainless steel
Conduit Entries	(2) 3/4" NPT
O-Rings	Silicone
Pilot	No pilot device(s)
Spool Valve	No spool valve
Valve Cv	No valve Cv
Manual Override	No manual override
Regional Certification	No regional certification
N Switch	No N Switch

WIRING DIAGRAM



NAMEPLATE



CE 0518 II 2 GD

UL CERTIFIED LISTED E125326 USA

Telemetering Equipment for use in Hazardous Locations

WARNING: Disconnect the power before servicing. Keep tightly closed during operation. Must be known to be non-hazardous area before servicing. Clean only with damp cloth.

AVERTISSEMENT: Débranchez l'alimentation avant l'entretien. Conservez hermétiquement fermé pendant le fonctionnement. Doivent être connus pour être des zones non dangereuses avant l'entretien.

CI I Div 1, Grps C-D; CI II Div 2, Grps A-D; CI II Div 2, Grps F-G; Type 4X Ex d IIB + H; T6 Gb; Ex tb IIIC T85°C Db; IP66/67 -50°C ≤ Ta ≤ 60°C

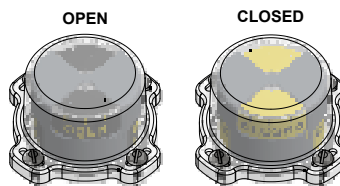
SIRA 07ATEX1273X IECEX SIR 07.0093X

SWITCH: SPDT 4A/120VAC; 3A/24VDC Hermetically Sealed

TopWorx
3300 Fern Valley Road
Louisville, KY 40213 USA
www.topworx.com

Model #:

Serial #:



Electrol

www.electrolsupply.com
sales@electrolsupply.com
1-800-663-6576