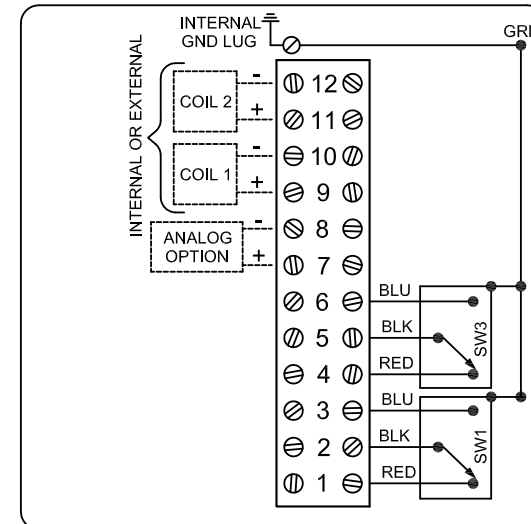
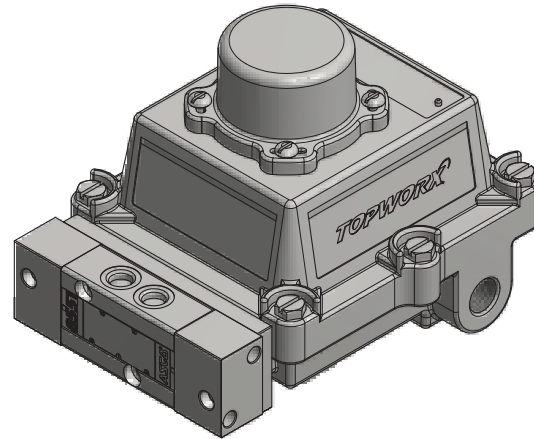
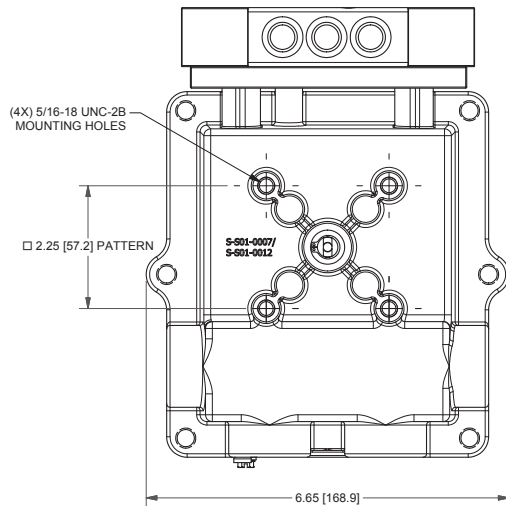
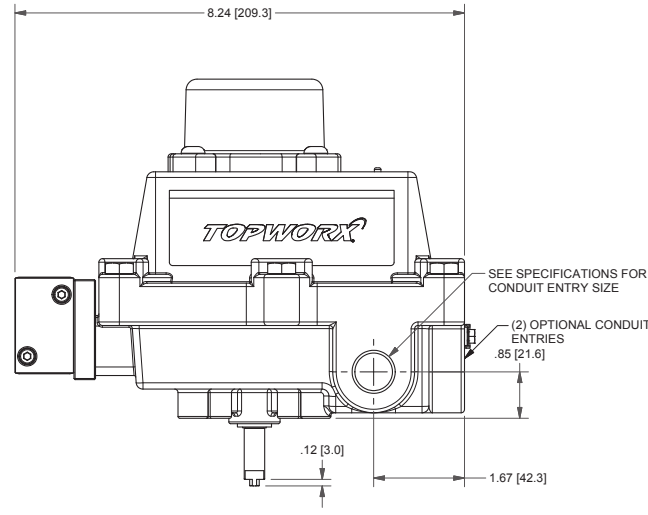
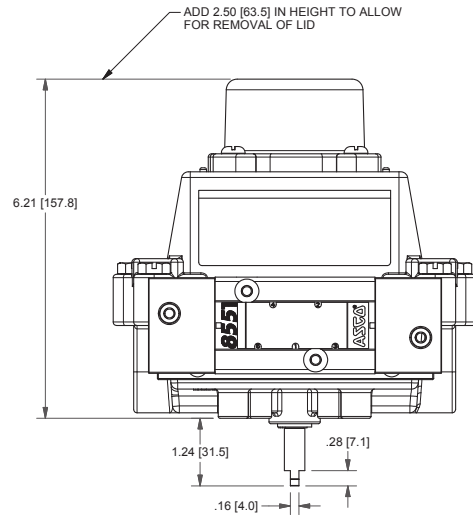


# DXP-L217NEB8A2

## Switchbox DXP and DXS

Enclosure	Tropicalized aluminum
Bus/Sensor	(2) GO™ Switches SPDT hermetic seal
Area Classification	Explosion proof / flame proof
Visual Display	3 way, 180° T Port 3 position
Shaft	NAMUR 304 stainless steel
Conduit Entries	(2) 3/4" NPT
O-Rings	Buna-N
Pilot	(2) 110Vac pilots, 1.1W, fail last position
Spool Valve	Aluminum hard coat anodized
Valve Cv	0.86 Cv (1/4" NPT Ports)
Manual Override	No manual override
Regional Certification	No regional certification
N Switch	No N Switch



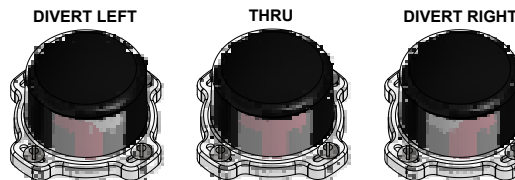
CE 0518 ENEC #2 G UL CERTIFIED LISTED E125376 USA  
 C1 I Div 1, Grps C-D; C1 I Div 2, Grps A-D; Type 4X  
 Ex d IIB + H<sub>2</sub> T6 Gb, IP65  
 -50 C ≤ T<sub>a</sub> ≤ 60 C  
 SIRA 07ATEX1273X IECEX SIR 07.0093X  
 SWITCH: SPDT 4A/120VAC; 3A/24VDC Hermetically Sealed  
 PILOT: 110 VAC

Model #:

Telemetering Equipment for use In Hazardous Locations  
**WARNING:** Disconnect the power before servicing. Keep tightly closed during operation. Must be known to be non-hazardous area before servicing. Clean only with damp cloth.  
**AVERTISSEMENT:** Débranchez l'alimentation avant l'entretien. Conserver hermétiquement fermé pendant le fonctionnement. Doivent être connus pour être des zones non dangereuses avant l'entretien.

TopWorx  
 3300 Fern Valley Road  
 Louisville, KY 40213 USA  
 www.topworx.com

Serial #:



**Electrol**  
[www.electrosupply.com](http://www.electrosupply.com)  
[sales@electrosupply.com](mailto:sales@electrosupply.com)  
 1-800-663-6576