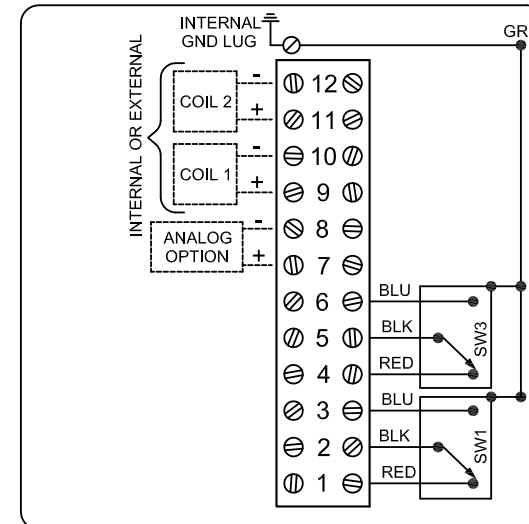
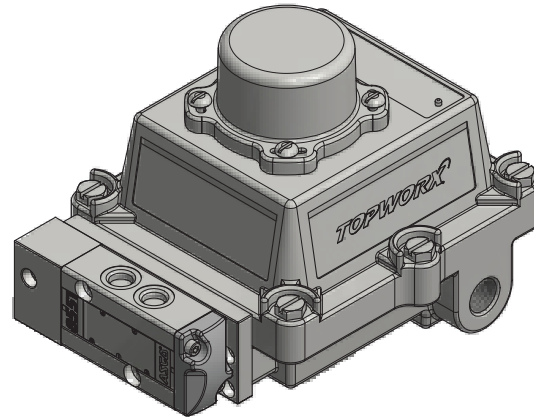
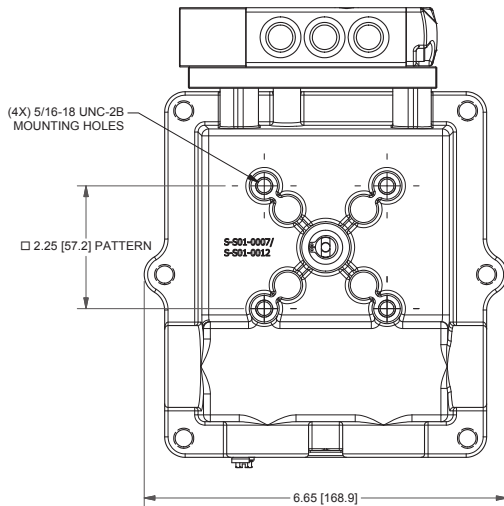
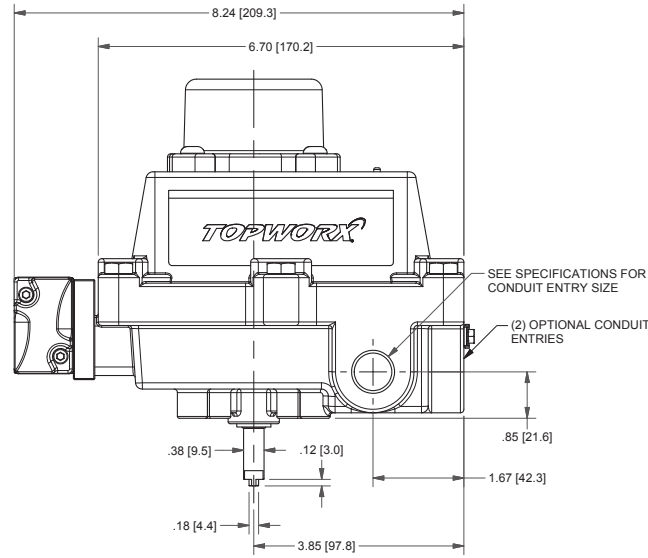
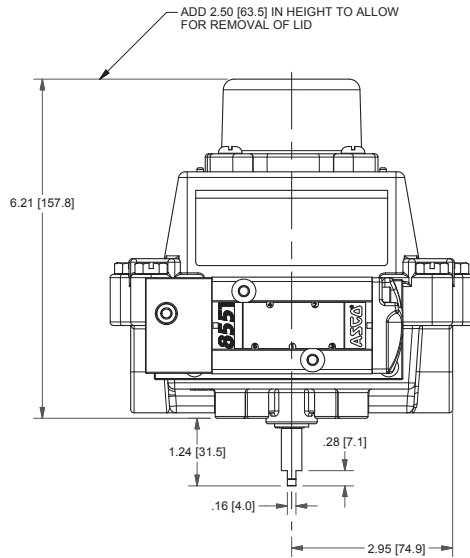


# DXP-L20GNMB1A2

## Switchbox DXP and DXS

Enclosure	Tropicalized aluminum
Bus/Sensor	(2) GO™ Switches SPDT hermetic seal
Area Classification	Intrinsically safe
Visual Display	Standard 90° Green OPEN, Red CLOSED
Shaft	NAMUR 304 stainless steel
Conduit Entries	(2) M20
O-Rings	Buna-N
Pilot	(1) 24Vdc pilot, fail open/closed
Spool Valve	Aluminum hard coat anodized
Valve Cv	0.86 Cv (1/4" NPT Ports)
Manual Override	No manual override
Regional Certification	No regional certification
N Switch	No N Switch



CI I Div 1, Grps A-D; Type 4X  
Ex Ia IIC T4 Gb, IP65  
-40°C ≤ Ta ≤ 60°C  
SIRA 14ATEX2241X IECEx SIR 14.0078X  
Intrinsically Safe - Exia / Sécurité Intrinsèque  
Install per Control Drawing S-K127 and S-K127A

Model #:

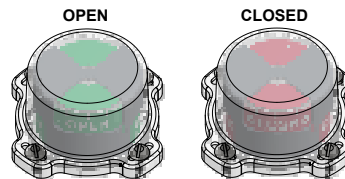
### Telemetering Equipment for use In Hazardous Locations

**WARNING:** Substitution of components may impair intrinsic safety. The installer shall confirm which certified sub-assemblies are fitted and ensure compliance with the entity parameters in the appropriate certificate. Potential electrostatic charging hazard - Clean only with damp cloth.

**AVERTISSEMENT:** La substitution de composants peut compromettre la sécurité intrinsèque.

TopWorx  
3300 Fern Valley Road  
Louisville, KY 40213 USA  
www.topworx.com

Serial #:



**Electrol**

www.electrosupply.com  
sales@electrosupply.com  
1-800-663-6576