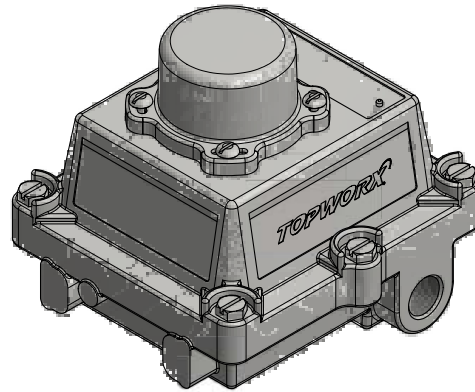
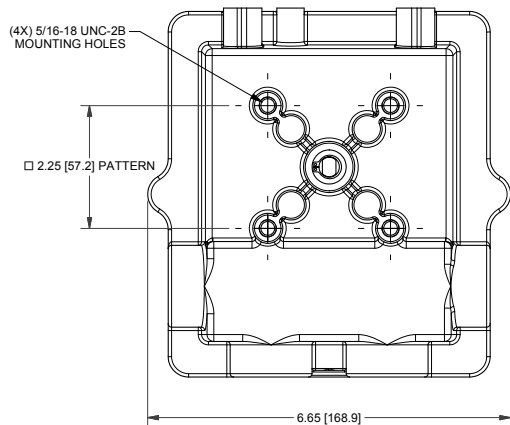


## DXP-L11BSMB

### Switchbox DXP and DXS

|                        |                               |
|------------------------|-------------------------------|
| Enclosure              | Tropicalized aluminum         |
| Bus/Sensor             | (1) GO™ Switch SPDT           |
| Area Classification    | Explosion proof / flame proof |
| Visual Display         | 90° Black OPEN, Yellow CLOSED |
| Shaft                  | 1/4" DD 304 stainless steel   |
| Conduit Entries        | (2) M20                       |
| O-Rings                | Buna-N                        |
| Pilot                  | No pilot device(s)            |
| Spool Valve            | No spool valve                |
| Valve Cv               | No valve Cv                   |
| Manual Override        | No manual override            |
| Regional Certification | No regional certification     |
| N Switch               | No N Switch                   |



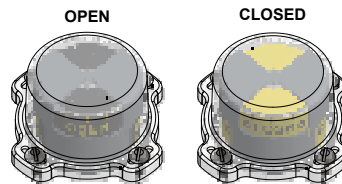
CI I Div 1, Grps C-D; CI I Div 2, Grps A-D; Type 4X  
 Ex d IIB + H<sub>2</sub>; T6 Gb; IP66/67  
 -50 C ≤ T<sub>a</sub> ≤ 60 C  
 SIRA 07ATEX1273X IECEX SIR 07.0093X  
 SWITCH: SPDT 4A/120VAC; 3A/24VDC Hermetically Sealed

Model #:

Telemetering Equipment for use in Hazardous Locations  
**WARNING:** Disconnect the power before servicing. Keep tightly closed during operation. Must be known to be non-hazardous area before servicing. Clean only with damp cloth.  
**AVERTISSEMENT:** Débranchez l'alimentation avant l'entretien. Conserver hermétiquement fermé pendant le fonctionnement. Doivent être connus pour être des zones non dangereuses avant l'entretien.

TopWorx  
 3300 Fern Valley Road  
 Louisville, KY 40213 USA  
 www.topworx.com

Serial #:



# Electrol

www.electrosupply.com  
 sales@electrosupply.com  
 1-800-663-6576