

MODEL NUMBER

DXP-FF2GNEBPA2

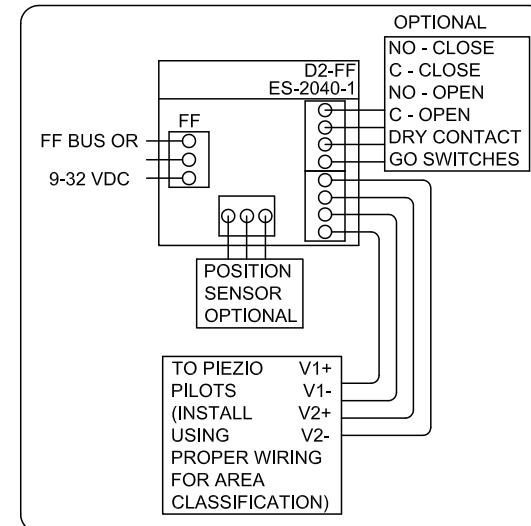
PRODUCT LINE

Switchbox DXP and DXS

SPECIFICATIONS

| | |
|------------------------|--|
| Enclosure | Tropicalized aluminum |
| Bus/Sensor | Foundation Fieldbus w/ 0-10K potentiometer |
| Area Classification | Non-incendive |
| Visual Display | Standard 90° Green OPEN, Red CLOSED |
| Shaft | NAMUR 304 stainless steel |
| Conduit Entries | (2) 3/4" NPT |
| O-Rings | Buna-N |
| Pilot | (1) piezo pilot, fail open/closed |
| Spool Valve | Aluminum hard coat anodized |
| Valve Cv | 0.86 Cv (1/4" NPT Ports) |
| Manual Override | No manual override |
| Regional Certification | No regional certification |
| N Switch | No N Switch |

WIRING DIAGRAM



NAMEPLATE



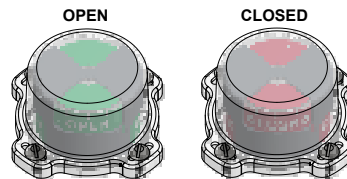
CI I Div 2, Grps A-D, Type 4X
Ex nC IIC T6 Gc; IP65
-20°C ≤ Ta ≤ 50°C
Install per Control Drawing ES-03468-1

Telemetering Equipment for use in Hazardous Locations
WARNING: Substitution of components may impair suitability for use in Class I, Division 2 or Zone 2 environments. Must be known to be non-hazardous area before servicing. Clean only with damp cloth.
AVERTISSEMENT: La substitution de composants peut altérer l'aptitude pour une utilisation dans Classe I, Division 2 environnements. Doivent être connus pour être des zones non dangereuses avant l'entretien.

TopWorx
3300 Fern Valley Road
Louisville, KY 40213 USA
www.topworx.com

Model #:

Serial #:



Electrol

www.electrosupply.com
sales@electrosupply.com
1-800-663-6576